

Contact tip M8 round CuCrZr

Contact tip CuCrZr

| | |
|----------------------|---------|
| Item number: | 57835 |
| Product weight (kg): | 0.16 kg |
| Packing unit: | 10 |

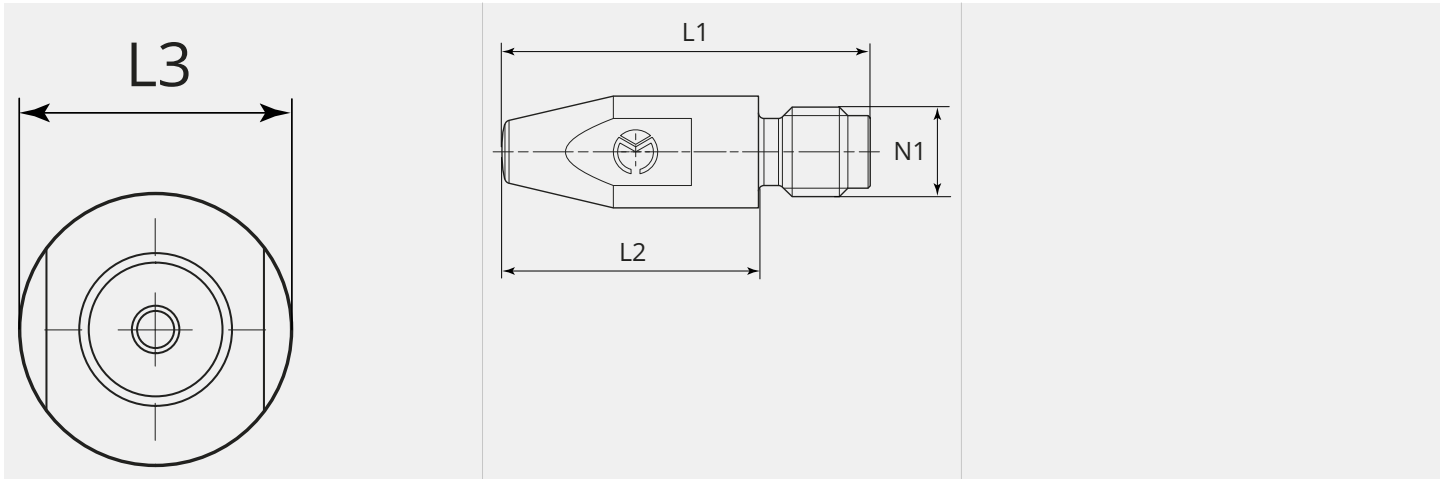


PRODUCT DESCRIPTION

Contact tip CuCrZr

TECHNICAL CHARACTERISTICS

| | |
|---------------|-------------------|
| Wire (mm): | 0.8 / 0.6 |
| Welding wire: | Steel / aluminium |
| Version: | Round |
| Material: | CuCrZr |

DIMENSIONAL DRAWING

DIMENSIONAL DRAWING

| | |
|-----------------|------|
| L1 (mm): | 33.0 |
| L2 (mm): | 23.0 |
| L3 (mm): | SW8 |
| N1: | M8 |