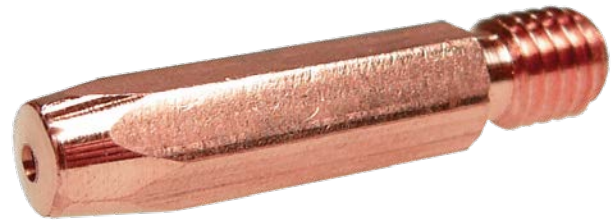


Contact tip M8 hex. copper

Contact tip native copper

Item number: 57815

Packing unit: 10

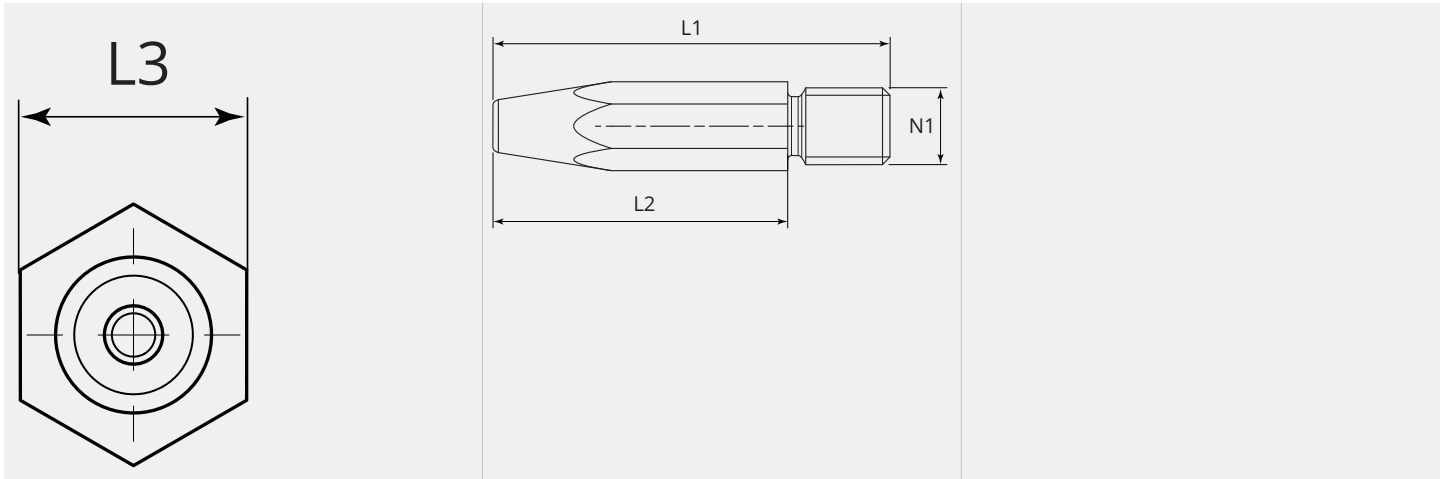


PRODUCT DESCRIPTION

Contact tip native copper

TECHNICAL CHARACTERISTICS

Wire (mm):	3.2
Welding wire:	Steel
Version:	Hexagonal
Material:	Native copper

DIMENSIONAL DRAWING

DIMENSIONAL DRAWING

L1 (mm):	33.0
L2 (mm):	23.0
L3 (mm):	SW8
N1:	M8