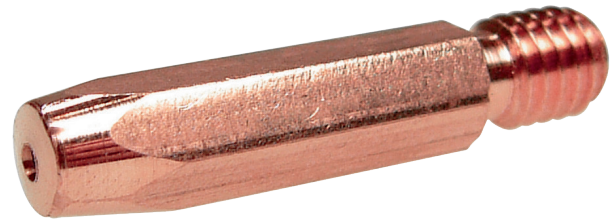


# Contact tip M6 hex. copper

Contact tip native copper

Item number:	57604
Product weight (kg):	0.01 kg
Packing unit:	10

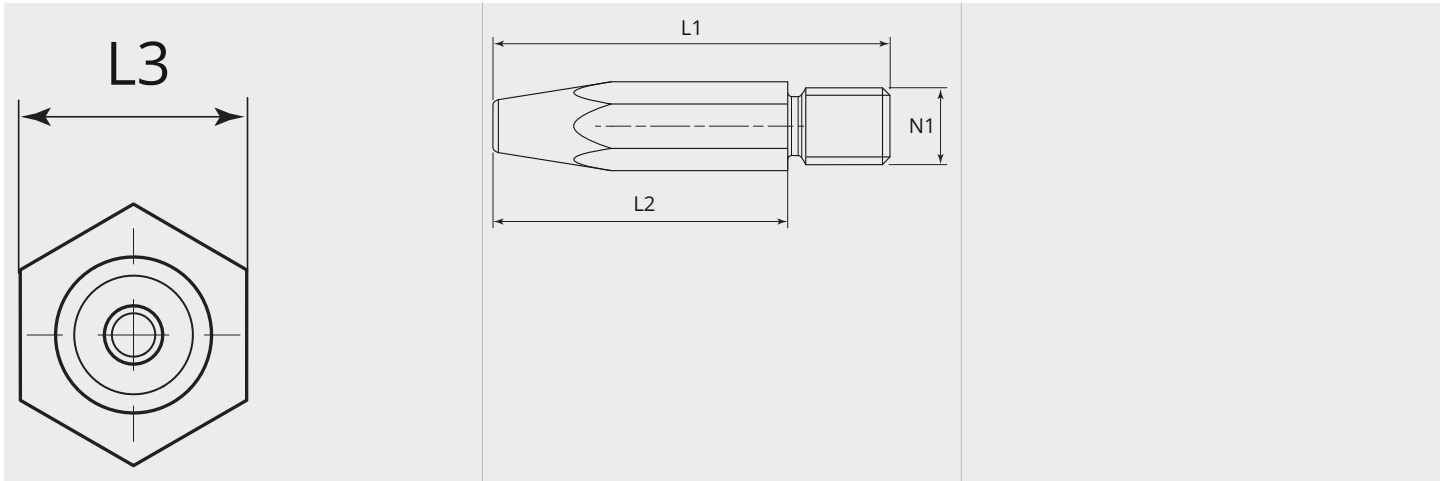


## PRODUCT DESCRIPTION

Contact tip native copper

## TECHNICAL CHARACTERISTICS

Wire (mm):	1.2 / 1.0
Welding wire:	Steel / aluminium
Version:	Hexagonal
Material:	Native copper

**DIMENSIONAL DRAWING**

**DIMENSIONAL DRAWING**

L1 (mm):	31.0
L2 (mm):	23.0
L3 (mm):	SW6
N1:	M6