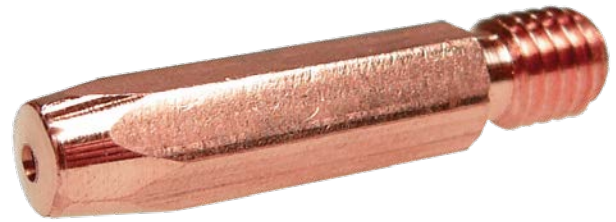


Contact tip M6 hex. copper

Contact tip native copper

Item number:	57603
Product weight (kg):	0.01 kg
Packing unit:	10

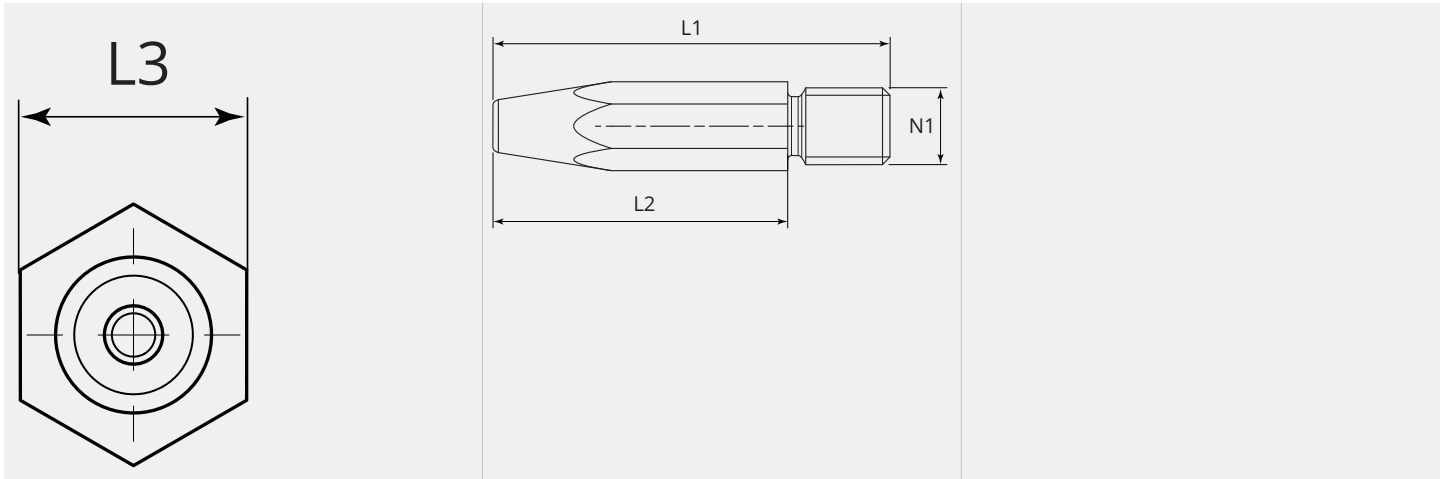


PRODUCT DESCRIPTION

Contact tip native copper

TECHNICAL CHARACTERISTICS

Wire (mm):	1.0 / 0.8
Welding wire:	Steel / aluminium
Version:	Hexagonal
Material:	Native copper

DIMENSIONAL DRAWING

DIMENSIONAL DRAWING

L1 (mm):	31.0
L2 (mm):	23.0
L3 (mm):	SW6
N1:	M6