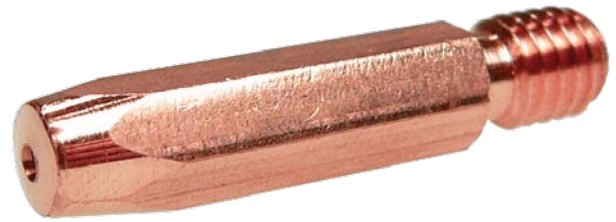


# Contact tip M6 hex. copper

Contact tip native copper

Item number:	57600
Product weight (kg):	0.01 kg
Packing unit:	10

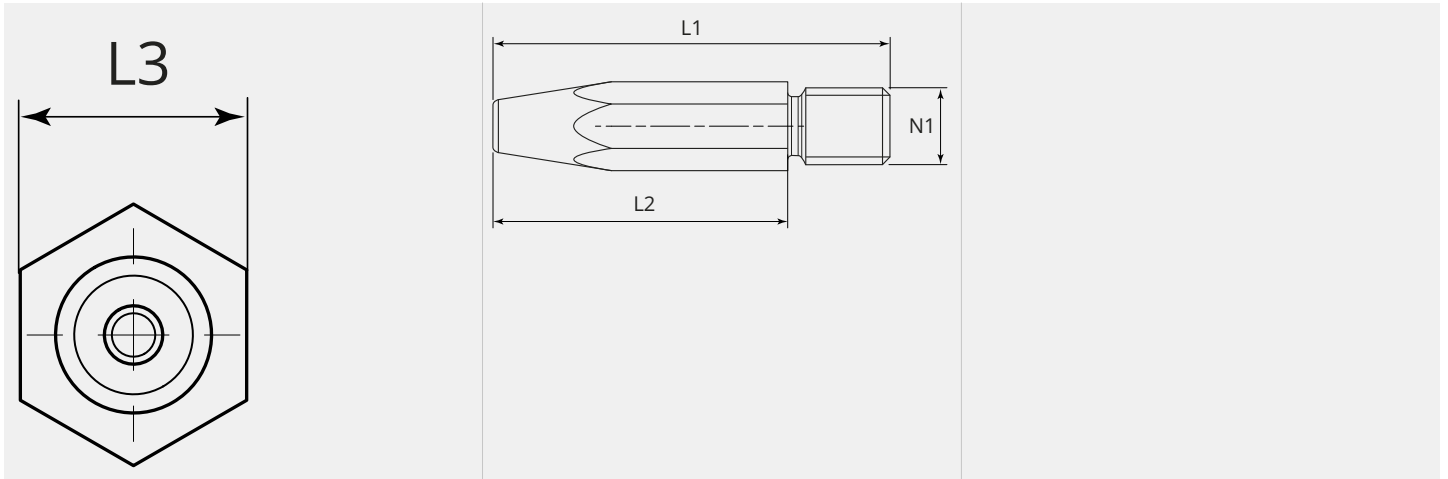


## PRODUCT DESCRIPTION

Contact tip native copper

## TECHNICAL CHARACTERISTICS

Wire (mm):	0.6
Welding wire:	Steel
Version:	Hexagonal
Material:	Native copper

**DIMENSIONAL DRAWING**

**DIMENSIONAL DRAWING**

<b>L1 (mm):</b>	31.0
<b>L2 (mm):</b>	23.0
<b>L3 (mm):</b>	SW6
<b>N1:</b>	M6