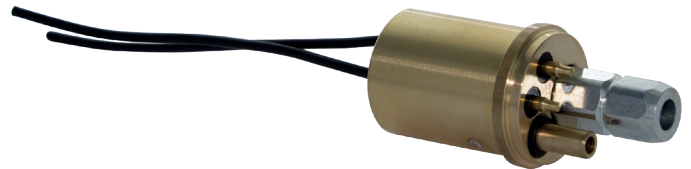


# Euro Central Adaptor torch side with two spring-loaded pins

Applies for gas cooled MIG/MAG Torch

Item number:	57113
Product weight (kg):	0.15 kg
Packing unit:	1

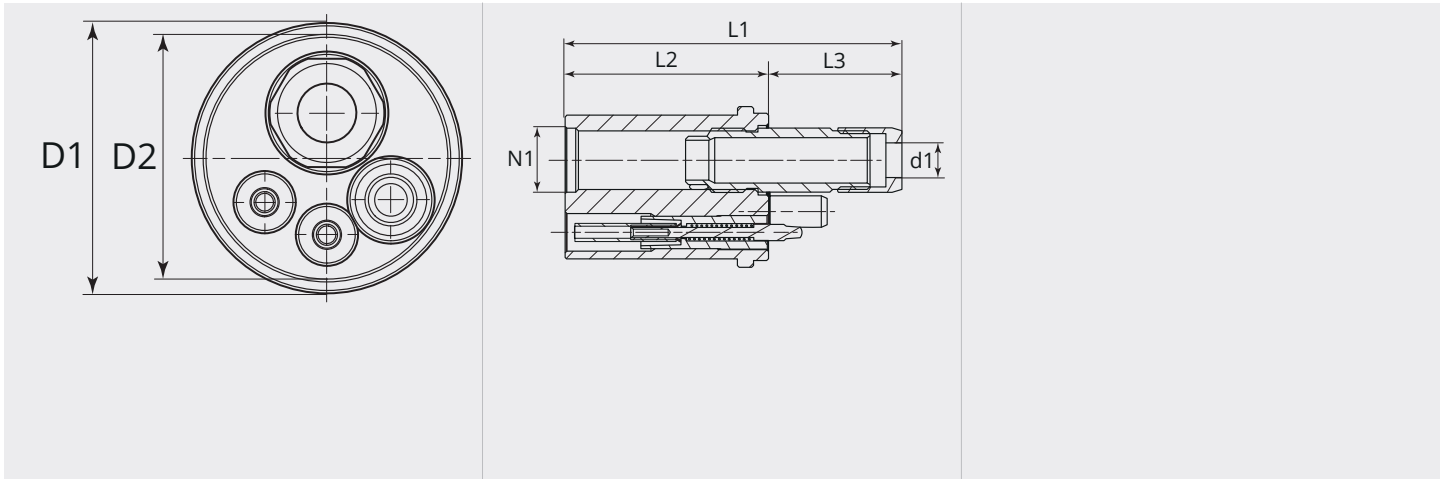


## PRODUCT DESCRIPTION

Applies for gas cooled MIG/MAG Torch

## TECHNICAL CHARACTERISTICS

Version:	Round
Number of contact pins:	2
Pin type:	sprung
Cooling:	Gas
Terminal side:	Welding torch
Hose package Connection:	Euro
Material:	Brass

**DIMENSIONAL DRAWING**

**DIMENSIONAL DRAWING**

L1 (mm):	63.0
L2 (mm):	38.0
L3 (mm):	25.0
D1 (Ø):	30
D2 (Ø):	26.9
d1 (Ø):	6.5
N1:	M12x1