

Springholder with hose protection spring ID30x3

Applies for adapter support with 1 1/2-12UNF thread

Item number:	57089
Product weight (kg):	0.15 kg
Packing unit:	1

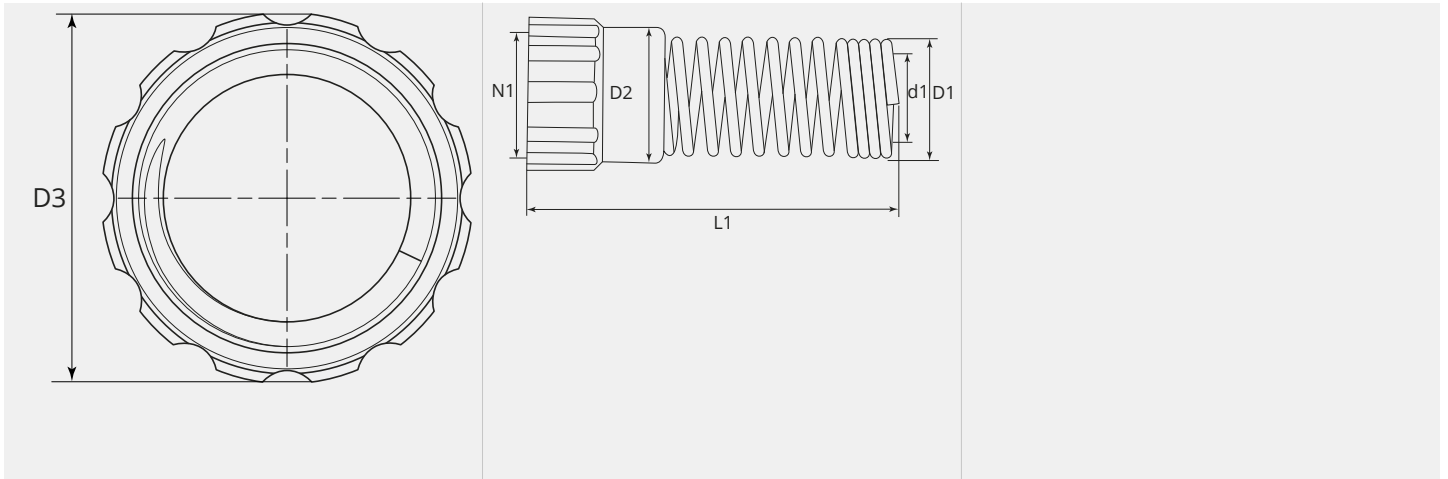


PRODUCT DESCRIPTION

Applies for adapter support with 1 1/2-12UNF thread

TECHNICAL CHARACTERISTICS

Material: Plastic, spring steel nickel plated

DIMENSIONAL DRAWING

DIMENSIONAL DRAWING

L1 (mm):	152.0
D1 (Ø):	36
D2 (Ø):	41.5
D3 (Ø):	45.0
d1 (Ø):	30.0
N1:	11/2"- 12UNF