

# MIG/MAG Welding Gun Neck MER452WSC

Water cooled for 450A, Swan Neck Angle 180°, for 0.8 - 2.4 wire

Item number: **54440**  
 Packing unit: **1**

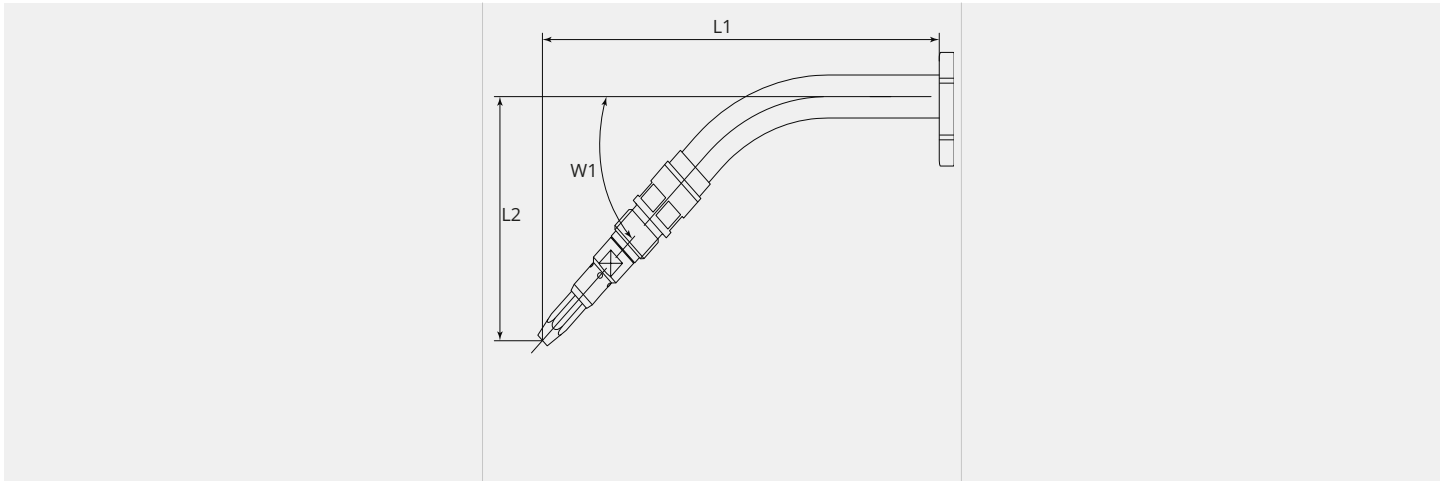


## PRODUCT DESCRIPTION

Water cooled for 450A, Swan Neck Angle 180°, for 0.8 - 2.4 wire

## TECHNICAL CHARACTERISTICS

Wire (mm):	0.8 - 2.4
Bending angle (°):	180
Max. current CO2 (A):	450
Duty Cycle CO2:	100
Max. current argon mixed gas (A):	310
Duty Cycle Argon mixed gas (%):	100
Cooling:	Water
Suitable:	MER452WSC

**DIMENSIONAL DRAWING****DIMENSIONAL DRAWING**

<b>L1 (mm):</b>	207.5
<b>W1 (°):</b>	180.0