



MECHAFIN

# Fixing nut M38x3 x 33.0mm

Applies for robotic swan neck

Item number:	54231
Product weight (kg):	0.043 kg
Packing unit:	1

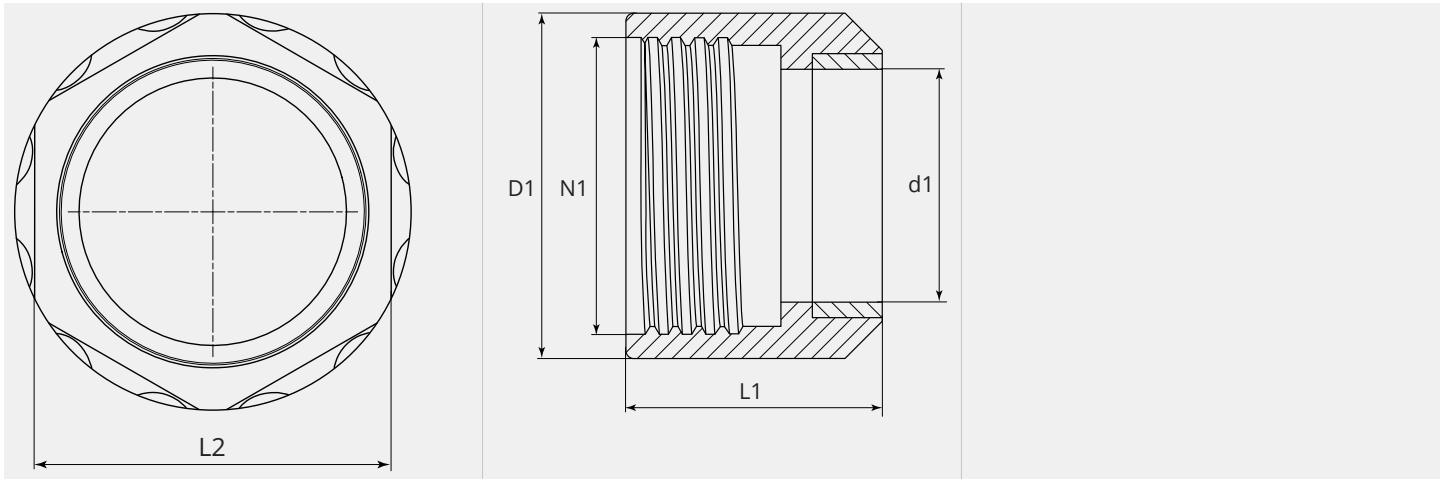


## PRODUCT DESCRIPTION

Applies for robotic swan neck

## TECHNICAL CHARACTERISTICS

Material: Stainless steel

**DIMENSIONAL DRAWING**

**DIMENSIONAL DRAWING**

<b>L1 (mm):</b>	33.0
<b>L2 (mm):</b>	SW40
<b>D1 (Ø):</b>	44.5
<b>d1 (Ø):</b>	30.0
<b>N1:</b>	M38x3