

Nozzle Insulator D13.5/15.9 x 30.0mm

Applies for nozzle:

Item number:	52001
Product weight (kg):	0.015 kg
Packing unit:	1

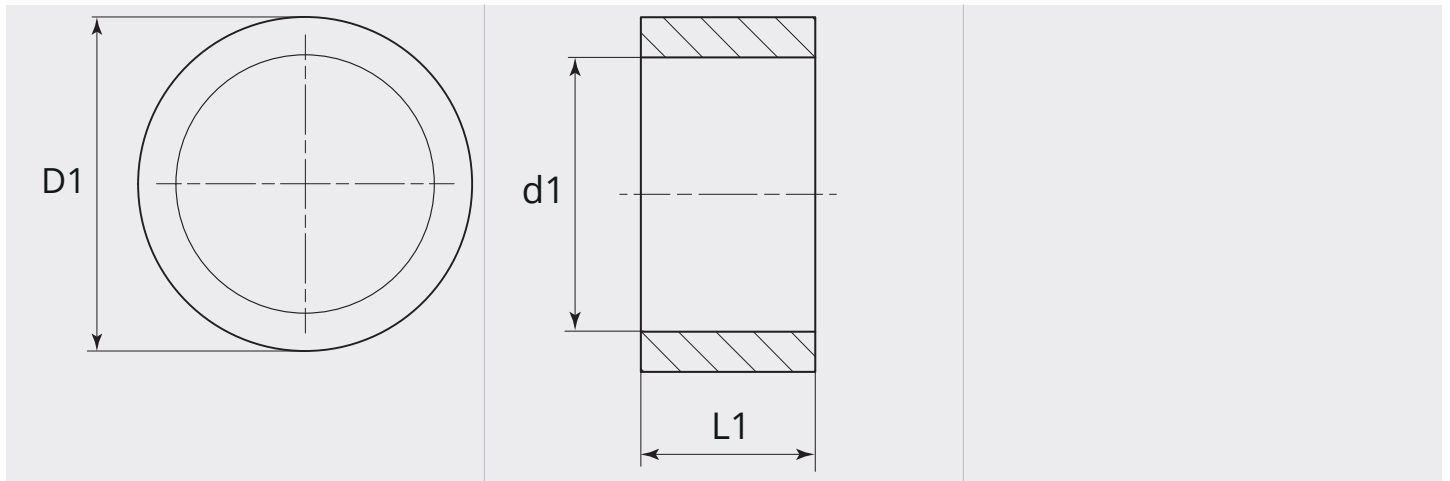


PRODUCT DESCRIPTION

Applies for nozzle:

TECHNICAL CHARACTERISTICS

Material:	Composite
Suitable:	ME200A

DIMENSIONAL DRAWING

DIMENSIONAL DRAWING

L1 (mm):	30.0
D1 (Ø):	15.9
d1 (Ø):	13.5