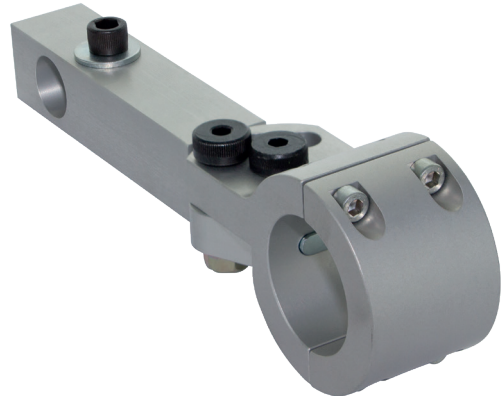


# Robot Torch Holder 6

Applies for Binzel robot

Item number: 36691

Packing unit: 1



## PRODUCT DESCRIPTION

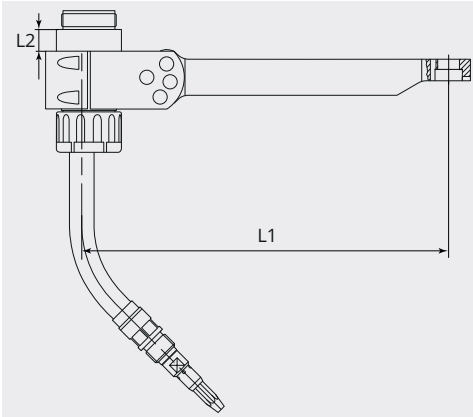
Applies for Binzel robot

## TECHNICAL CHARACTERISTICS

Material: Aluminium

Surface: Hard anodising

Suitable: Binzel robot

**DIMENSIONAL DRAWING****DIMENSIONAL DRAWING**

<b>L1 (mm):</b>	152.5
<b>L2 (mm):</b>	18.0