

# Feed Roll with keyway 40mm 2.8/3.2 for cored wire

Suitable for series: ME2500-40, ME2600-40

|                      |          |
|----------------------|----------|
| Item number:         | 140011   |
| Product weight (kg): | 0.119 kg |
| Packing unit:        | 1        |



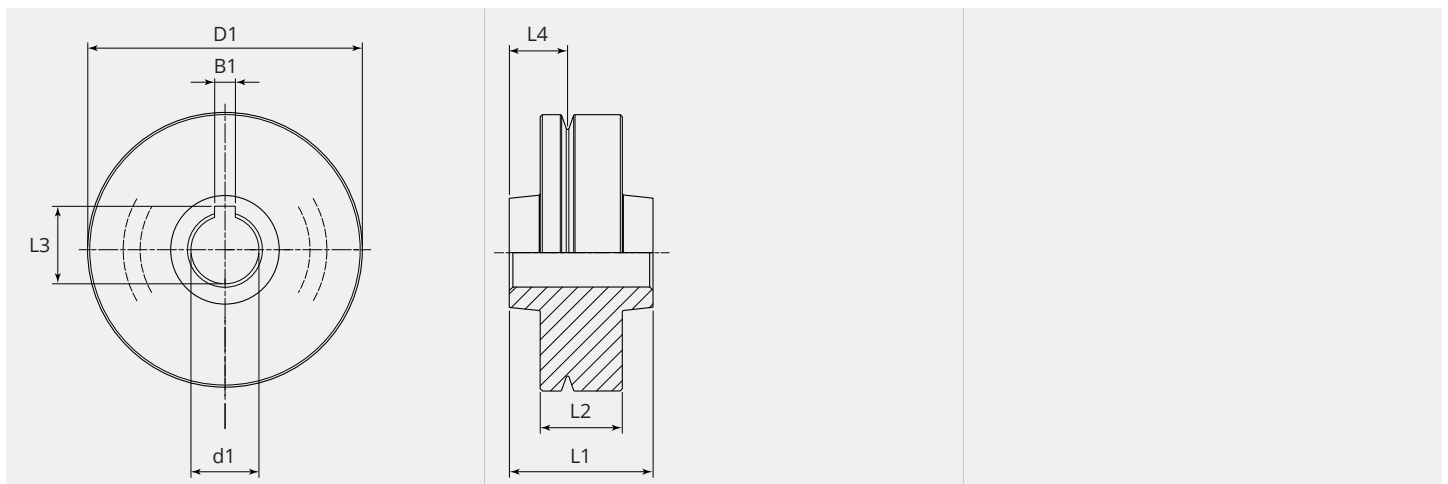
## PRODUCT DESCRIPTION

Suitable for series: ME2500-40, ME2600-40

## TECHNICAL CHARACTERISTICS

|                                       |                |
|---------------------------------------|----------------|
| <b>Wire (mm):</b>                     | 2.8 / 3.2      |
| <b>Welding wire:</b>                  | Cored wire     |
| <b>Groove shape:</b>                  | V              |
| <b>Characteristics of the groove:</b> | knurled        |
| <b>Type of setting:</b>               | Keyway         |
| <b>Material:</b>                      | Hardened steel |
| <b>Surface:</b>                       | Black-finish   |
| <b>Arrangement Rolls:</b>             | Bottom         |

## DIMENSIONAL DRAWING



**DIMENSIONAL DRAWING**

|                 |       |
|-----------------|-------|
| <b>L1 (mm):</b> | 21.00 |
| <b>L2 (mm):</b> | 12.00 |
| <b>L3 (mm):</b> | 11.40 |
| <b>L4 (mm):</b> | 8.50  |
| <b>B1 (mm):</b> | 3.05  |
| <b>D1 (Ø):</b>  | 40.4  |
| <b>d1 (Ø):</b>  | 10.00 |

From 300 pieces we produce your personal feed roll with logo. On request feed rolls are also available in stainless steel.