

Feed Roll with keyway 40mm 1.0/1.2+1.4/1.6 for cored wire

Suitable for series: ME2500-40, ME2600-40

Item number:	140009
Product weight (kg):	0.119 kg
Packing unit:	1



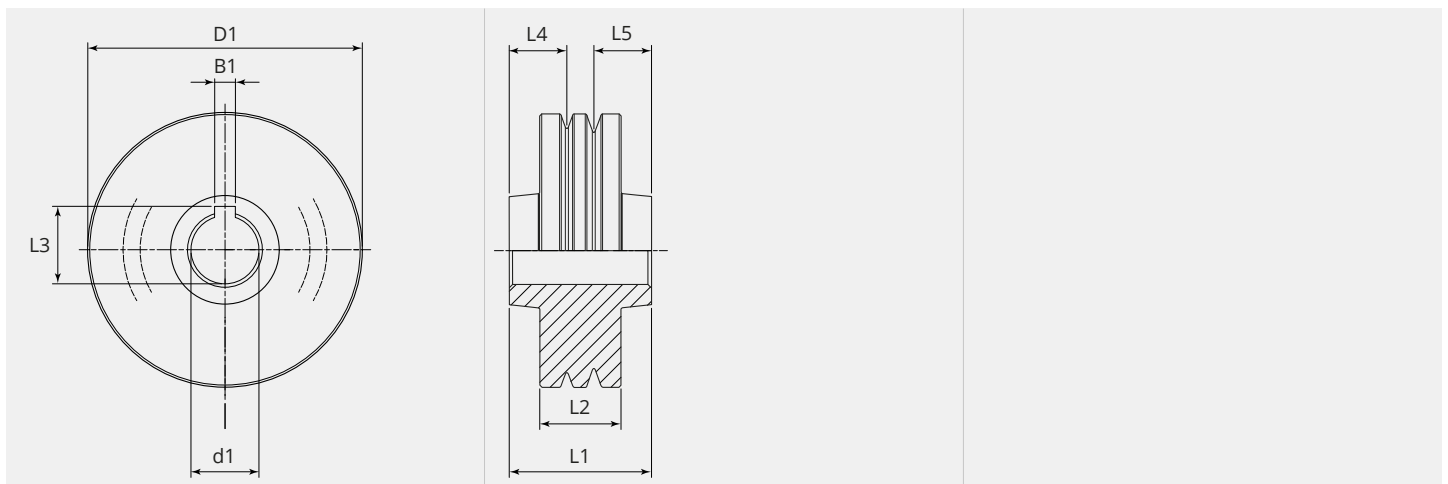
PRODUCT DESCRIPTION

Suitable for series: ME2500-40, ME2600-40

TECHNICAL CHARACTERISTICS

Wire (mm):	1.0/1.2 + 1.4/1.6
Welding wire:	Cored wire
Groove shape:	V
Characteristics of the groove:	knurled
Type of setting:	Keyway
Material:	Hardened steel
Surface:	Black-finish
Arrangement Rolls:	Bottom

DIMENSIONAL DRAWING



DIMENSIONAL DRAWING

L1 (mm):	21.00
L2 (mm):	12.00
L3 (mm):	11.40
L4 (mm):	8.50
L5 (mm):	8.50
B1 (mm):	3.05
D1 (Ø):	40.4
d1 (Ø):	10.00

From 300 pieces we produce your personal feed roll with logo. On request feed rolls are also available in stainless steel.