

Feed Roll with keyway 40mm 0.8+1.0 for aluminium wire

Suitable for series: ME2500-40, ME2600-40

Item number: 140005

Packing unit: 1



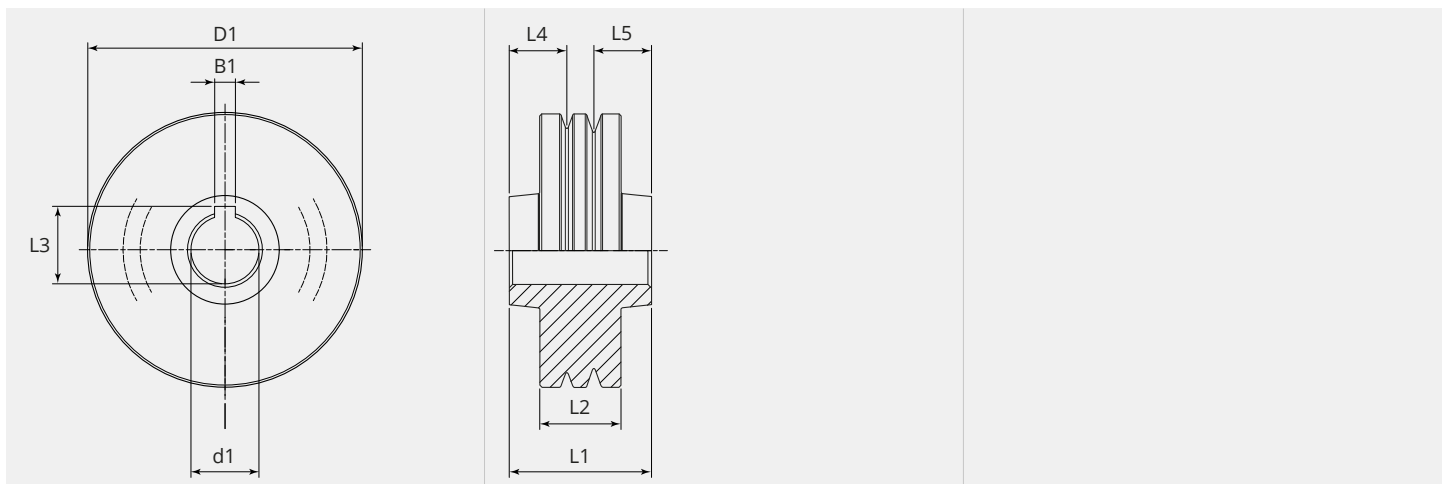
PRODUCT DESCRIPTION

Suitable for series: ME2500-40, ME2600-40

TECHNICAL CHARACTERISTICS

| | |
|---------------------------------------|----------------|
| Wire (mm): | 0.8 + 1.0 |
| Welding wire: | Aluminium |
| Groove shape: | U |
| Characteristics of the groove: | flat |
| Type of setting: | Keyway |
| Material: | Hardened steel |
| Surface: | Black-finish |
| Arrangement Rolls: | Bottom |

DIMENSIONAL DRAWING



DIMENSIONAL DRAWING

| | |
|-----------------|-------|
| L1 (mm): | 21.00 |
| L2 (mm): | 12.00 |
| L3 (mm): | 11.40 |
| L4 (mm): | 8.50 |
| L5 (mm): | 8.50 |
| B1 (mm): | 3.05 |
| D1 (Ø): | 40 |
| d1 (Ø): | 10.00 |

From 300 pieces we produce your personal feed roll with logo. On request feed rolls are also available in stainless steel.