

Feed Roll with keyway 40mm 0.8+1.0 for steel wire

Suitable for series: ME2500-40, ME2600-40

Item number:	140002
Product weight (kg):	0.119 kg
Packing unit:	1



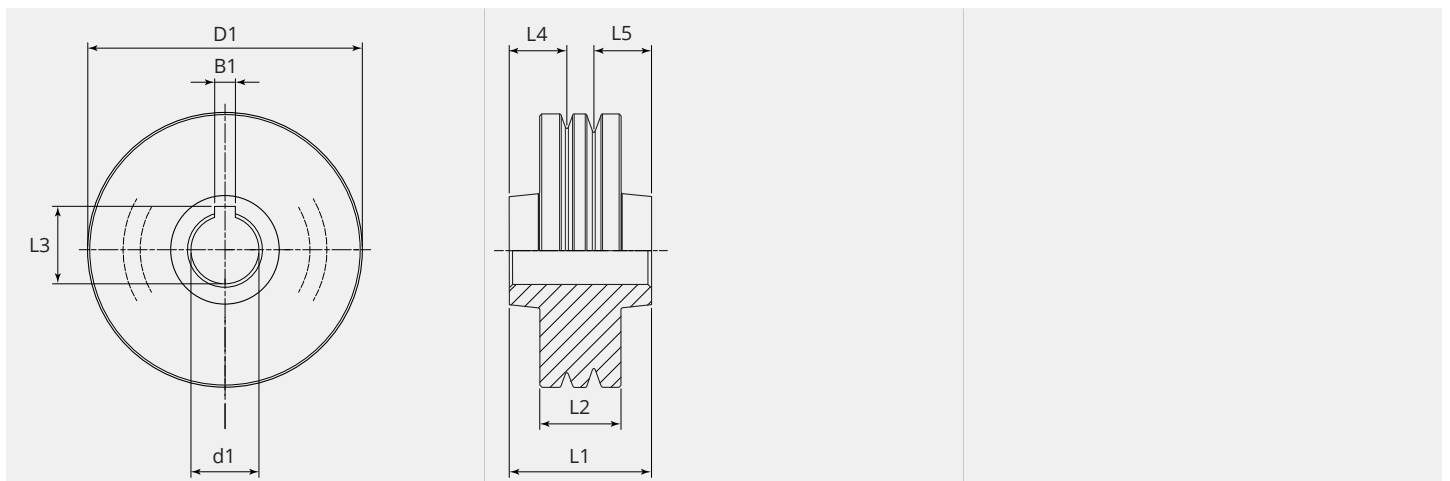
PRODUCT DESCRIPTION

Suitable for series: ME2500-40, ME2600-40

TECHNICAL CHARACTERISTICS

Wire (mm):	0.8 + 1.0
Welding wire:	Steel
Groove shape:	V
Characteristics of the groove:	flat
Type of setting:	Keyway
Material:	Hardened steel
Surface:	Black-finish
Arrangement Rolls:	Bottom

DIMENSIONAL DRAWING





DIMENSIONAL DRAWING

L1 (mm):	21.00
L2 (mm):	12.00
L3 (mm):	11.40
L4 (mm):	8.50
L5 (mm):	8.50
B1 (mm):	3.05
D1 (Ø):	40.4
d1 (Ø):	10.00

From 300 pieces we produce your personal feed roll with logo. On request feed rolls are also available in stainless steel.