

# Feed Roll with keyway 37mm0.6+0.8 for steel wire

Suitable for series: ME2500-37, ME2600-37

Item number:	137001
Product weight (kg):	0.102 kg
Packing unit:	1



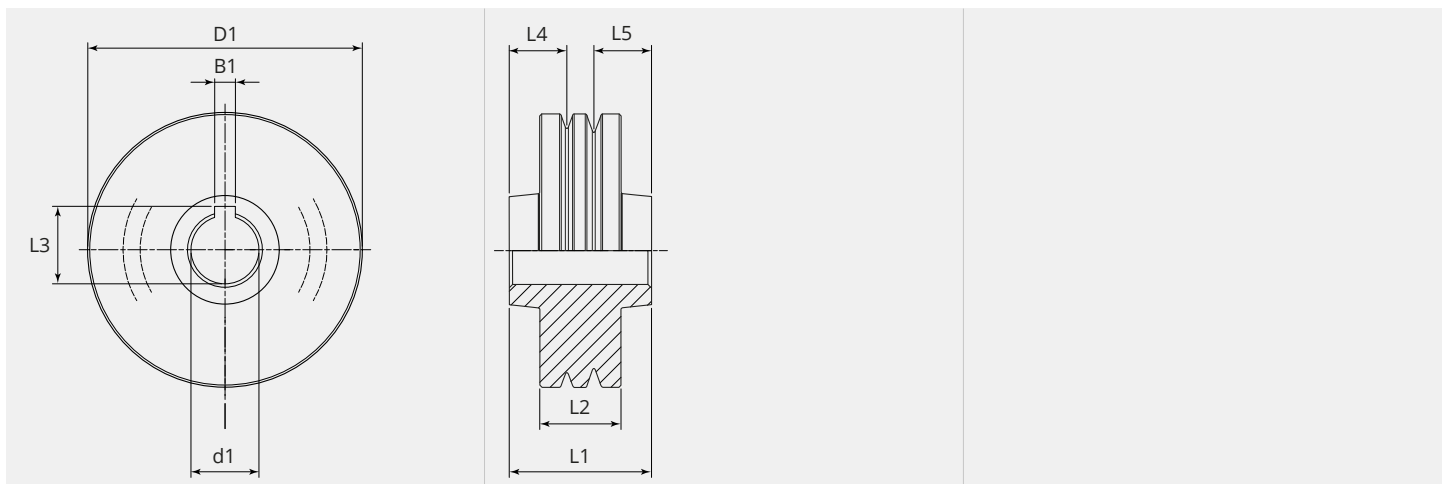
## PRODUCT DESCRIPTION

Suitable for series: ME2500-37, ME2600-37

## TECHNICAL CHARACTERISTICS

<b>Wire (mm):</b>	0.6 + 0.8
<b>Welding wire:</b>	Steel
<b>Groove shape:</b>	V
<b>Characteristics of the groove:</b>	flat
<b>Type of setting:</b>	Keyway
<b>Material:</b>	Hardened steel
<b>Surface:</b>	Black-finish
<b>Arrangement Rolls:</b>	Bottom

## DIMENSIONAL DRAWING



**DIMENSIONAL DRAWING**

L1 (mm):	21.00
L2 (mm):	12.00
L3 (mm):	11.40
L4 (mm):	8.50
L5 (mm):	8.50
B1 (mm):	3.05
D1 (Ø):	37
d1 (Ø):	10.00

From 300 pieces we produce your personal feed roll with logo. On request feed rolls are also available in stainless steel.