

MIG/MAG Welding Gun Neck MER352WSC

Water cooled for 350A, Swan Neck Angle 180°, for 0.8 - 2.0 wire

Item number: 121017
 Packing unit: 1

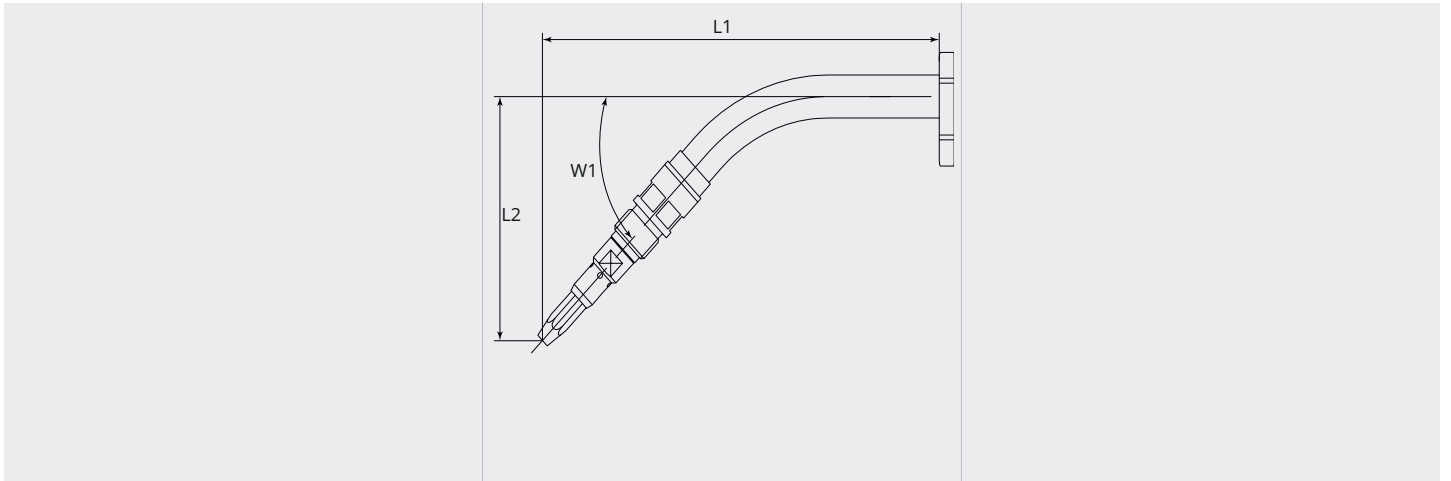


PRODUCT DESCRIPTION

Water cooled for 350A, Swan Neck Angle 180°, for 0.8 - 2.0 wire

TECHNICAL CHARACTERISTICS

Wire (mm):	0.8 - 2.0
Bending angle (°):	180
Max. current CO2 (A):	350
Duty Cycle CO2:	100
Max. current argon mixed gas (A):	230
Duty Cycle Argon mixed gas (%):	100
Cooling:	Water
Suitable:	MER352WSC

DIMENSIONAL DRAWING**DIMENSIONAL DRAWING**

L1 (mm):	142.8
W1 (°):	180.0