

Feed Roll D22mm 0.8 for cored wire

In conjunction with our Push-Pull system.

| | |
|----------------------|---------|
| Item number: | 120658 |
| Product weight (kg): | 0.01 kg |
| Packing unit: | 1 |



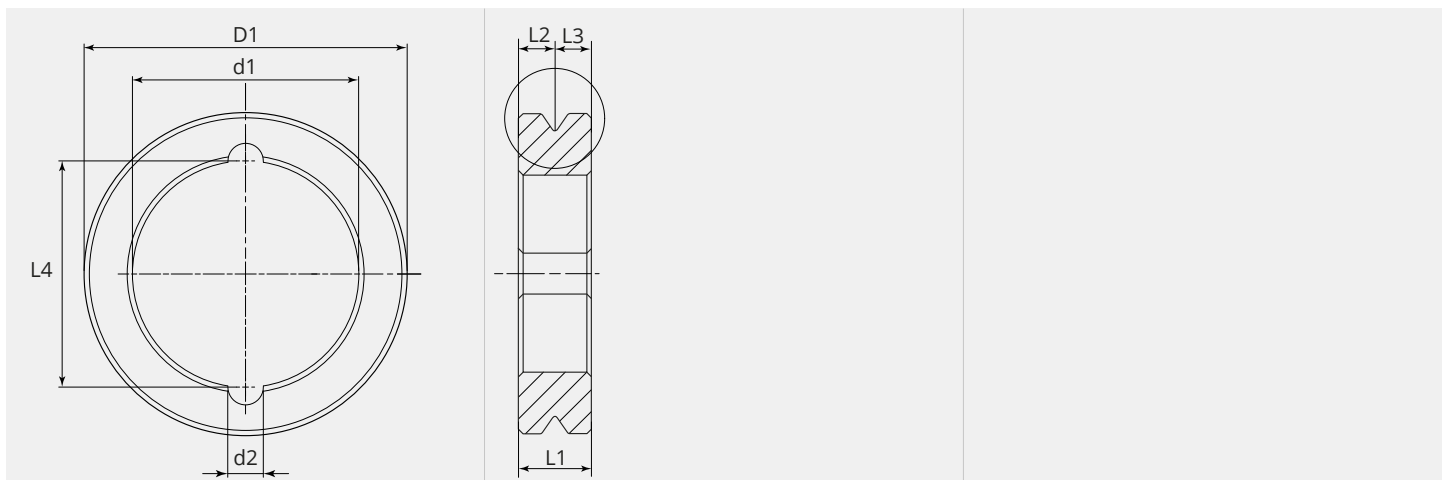
PRODUCT DESCRIPTION

In conjunction with our Push-Pull system.

TECHNICAL CHARACTERISTICS

| | |
|---------------------------------------|----------------------|
| Wire (mm): | 0.8 |
| Groove shape: | V |
| Characteristics of the groove: | knurled |
| Welding wire: | Cored wire |
| Type of setting: | Push-Pull / MEXDRIVE |
| Setting: | gear adaptor |
| Arrangement Rolls: | Top and bottom |
| Material: | Hardened steel |
| Surface: | Black-finish |
| Suitable: | Push-Pull / MEXDRIVE |

DIMENSIONAL DRAWING



DIMENSIONAL DRAWING

| | |
|----------|-------|
| L1 (mm): | 5.00 |
| L2 (mm): | 2.50 |
| L3 (mm): | 2.50 |
| L4 (mm): | 13.50 |
| D1 (Ø): | 22 |
| d1 (Ø): | 13.56 |
| d2 (Ø): | 2.80 |

From 300 pieces we produce your personal feed roll with logo. On request feed rolls are also available in stainless steel.