

MIG/MAG Welding Gun Neck MER552WSC

Water cooled for 550A, Swan Neck Angle 45°, for 0.8 - 2.8 wire

Item number: 120596
 Packing unit: 1

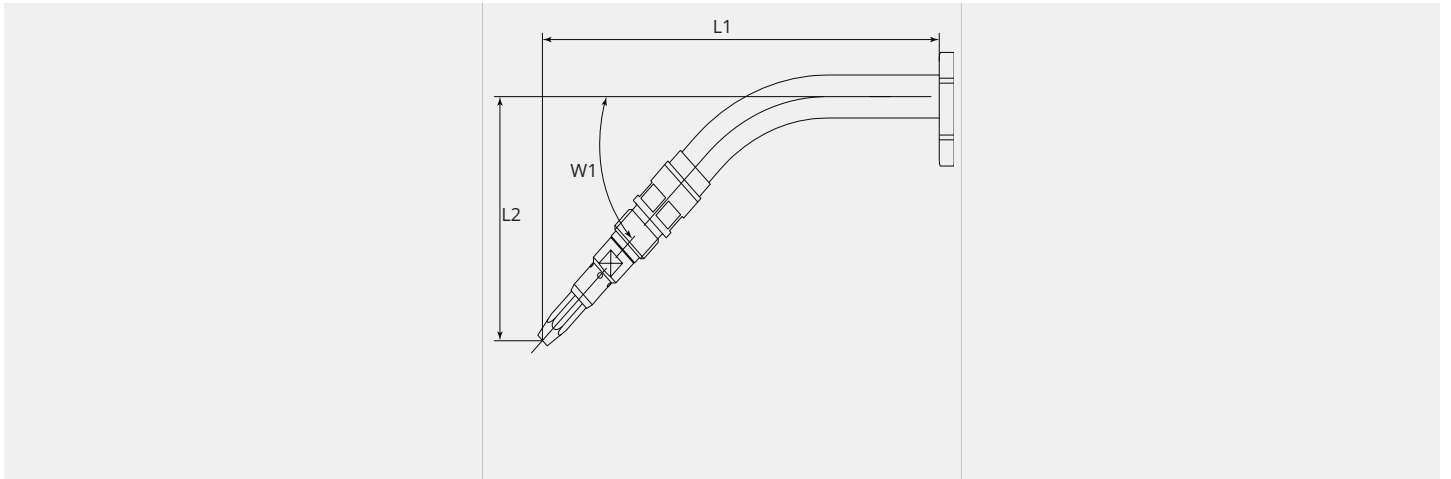


PRODUCT DESCRIPTION

Water cooled for 550A, Swan Neck Angle 45°, for 0.8 - 2.8 wire

TECHNICAL CHARACTERISTICS

Wire (mm):	0.8 - 2.8
Bending angle (°):	180
Max. current CO2 (A):	550
Duty Cycle CO2:	100
Max. current argon mixed gas (A):	380
Duty Cycle Argon mixed gas (%):	100
Cooling:	Water
Suitable:	MER552WSC

DIMENSIONAL DRAWING**DIMENSIONAL DRAWING**

L1 (mm):	367.5
L2 (mm):	96.5
W1 (°):	180.0