

# Feed Roll insulated 30mm 3.2+3.2 for cored wire

Suitable for series: ME8700, ME9900-2R in conjunction with adaptor 116803 and insulating washer 116824 for ME8700 and 114979 for ME9900-2R

Item number: 120562

Packing unit: 1



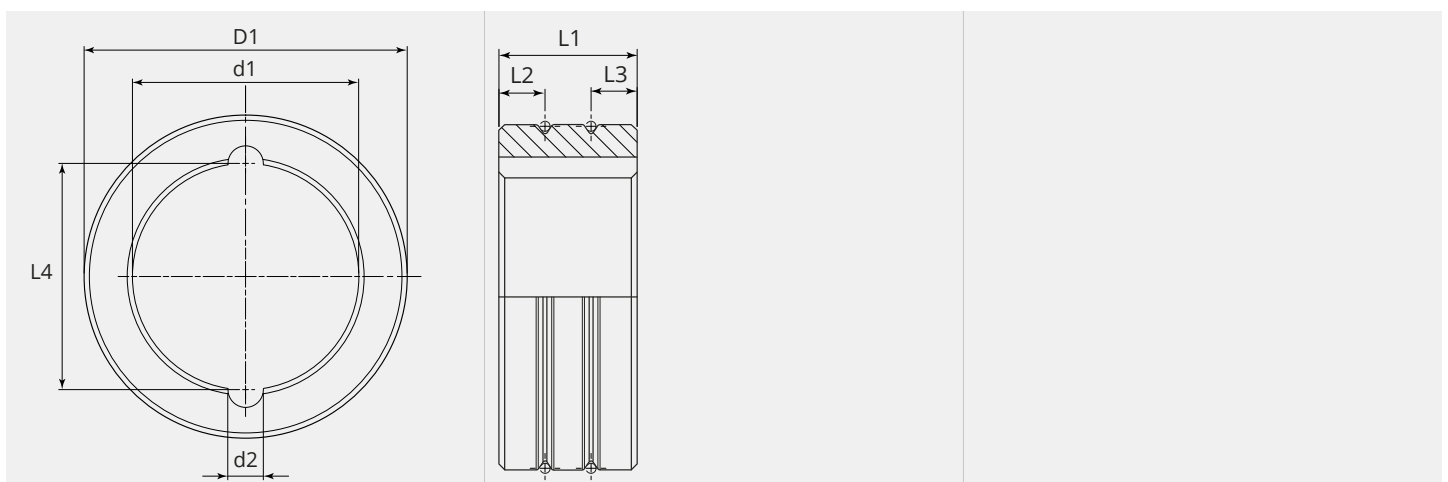
## PRODUCT DESCRIPTION

Suitable for series: ME8700, ME9900-2R in conjunction with adaptor 116803 and insulating washer 116824 for ME8700 and 114979 for ME9900-2R

## TECHNICAL CHARACTERISTICS

<b>Wire (mm):</b>	3.2 + 3.2
<b>Welding wire:</b>	Cored wire
<b>Groove shape:</b>	V
<b>Characteristics of the groove:</b>	knurled
<b>Isolated:</b>	yes
<b>Type of setting:</b>	Isolated
<b>Material:</b>	Hardened steel
<b>Surface:</b>	Black-finish
<b>Arrangement Rolls:</b>	Top and bottom

## DIMENSIONAL DRAWING



**DIMENSIONAL DRAWING**

L1 (mm):	12.00
L2 (mm):	4.00
L3 (mm):	4.00
L4 (mm):	21.00
D1 (Ø):	30
d1 (Ø):	21.00
d2 (Ø):	3.30

From 300 pieces we produce your personal feed roll with logo. On request feed rolls are also available in stainless steel.