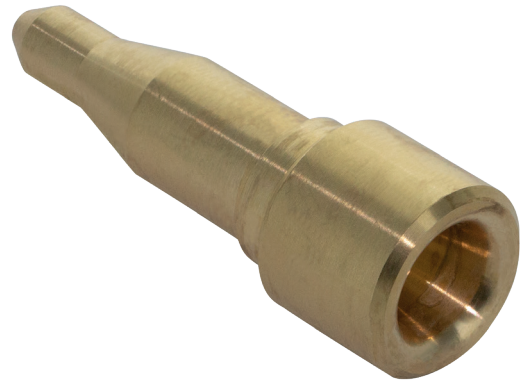


Inlet Guide brass for 0.5 - 1.6mm Wire

Applies for series: ME8700, ME8900, ME9300, ME9500, ME9900, ME2000-37, ME2000-40, ME2500-37, ME2500-40

Item number:	119996
Packing unit:	1



PRODUCT DESCRIPTION

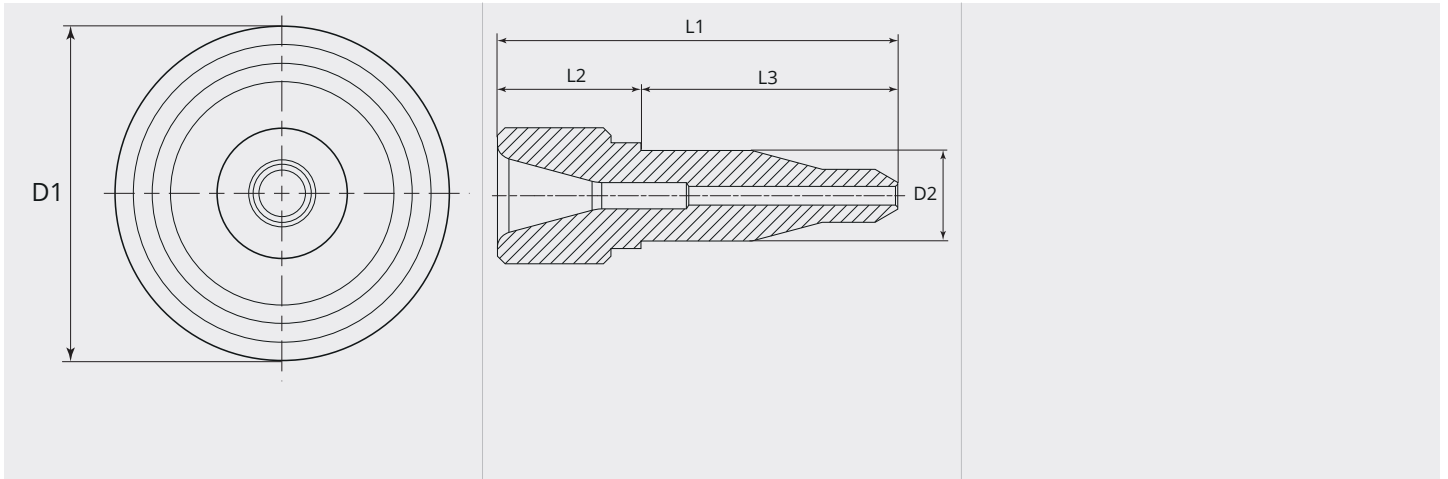
Applies for series: ME8700, ME8900, ME9300, ME9500, ME9900, ME2000-37, ME2000-40, ME2500-37, ME2500-40

TECHNICAL CHARACTERISTICS

Wire (mm):	0.5 - 1.6
Welding wire:	Steel / aluminium / cored wire
Material:	Brass
Suitable:	ME8700, ME8900, ME9300, ME9500, ME9900, ME2000, ME2500



DIMENSIONAL DRAWING



DIMENSIONAL DRAWING

L1 (mm):	53.0
L2 (mm):	19.0
L3 (mm):	34.0
D1 (Ø):	18
D2 (Ø):	12.0