

# 4R-Wire Drive System compl. MEFR1842-37

quick release cover with knurled screws

Item number: 119931

Packing unit: 1



## PRODUCT DESCRIPTION

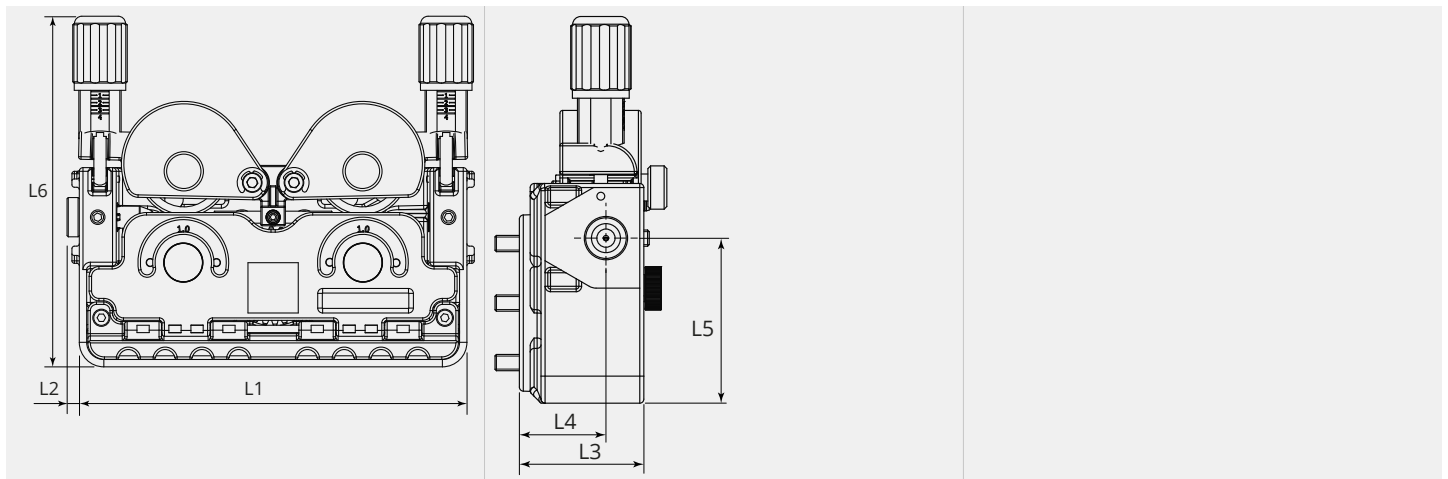
quick release cover with knurled screws



## TECHNICAL CHARACTERISTICS

<b>Wire feedroll:</b>	37
<b>Quantity rolls:</b>	4
<b>Driven rolls:</b>	2
<b>Arrangement Rolls:</b>	Bottom
<b>Frame Material:</b>	Aluminium
<b>Pressurearm:</b>	Aluminium
<b>Motor positions:</b>	12

## DIMENSIONAL DRAWING





**DIMENSIONAL DRAWING**

<b>L1 (mm):</b>	158.0
<b>L2 (mm):</b>	5.0
<b>L3 (mm):</b>	46.0
<b>L4 (mm):</b>	32.0
<b>L5 (mm):</b>	61.0
<b>L6 (mm):</b>	142.9