

# 4R-Wire Drive System compl. MEFR1844-37 T.B.G.

quick release cover

with knurled screws

Item number: 119860

Packing unit: 1



## PRODUCT DESCRIPTION

quick release cover

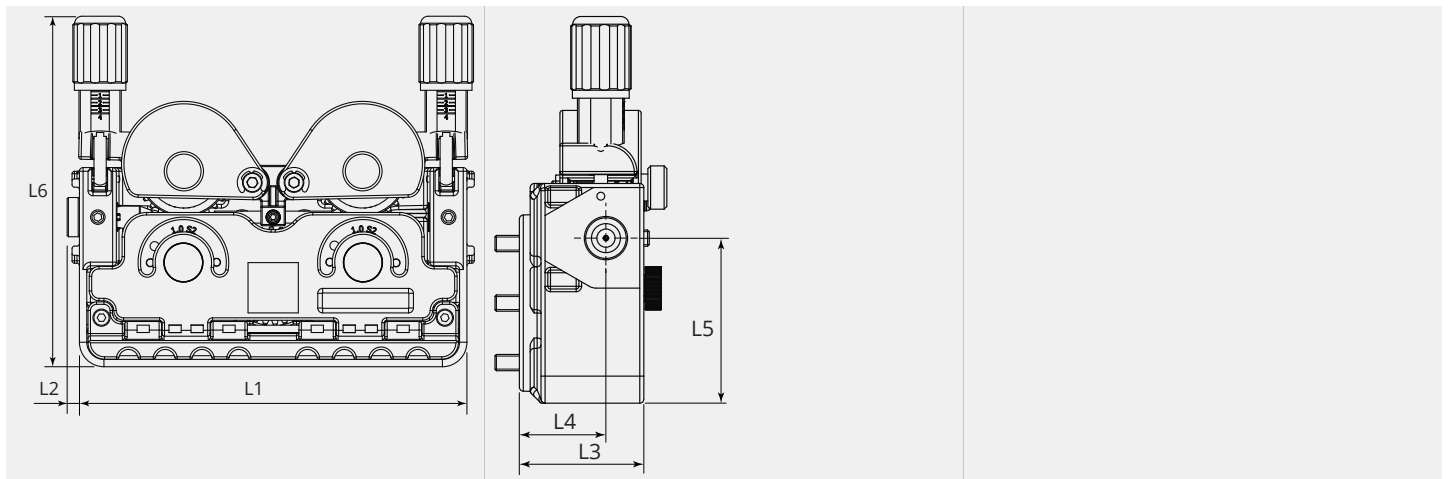
with knurled screws



## TECHNICAL CHARACTERISTICS

<b>Wire feedroll:</b>	37
<b>Quantity rolls:</b>	4
<b>Driven rolls:</b>	4
<b>Arrangement Rolls:</b>	Top and bottom
<b>Frame Material:</b>	Aluminium
<b>Pressurearm:</b>	Aluminium
<b>Motor positions:</b>	12

## DIMENSIONAL DRAWING



**DIMENSIONAL DRAWING**

<b>L1 (mm):</b>	158.0
<b>L2 (mm):</b>	5.0
<b>L3 (mm):</b>	46.0
<b>L4 (mm):</b>	32.0
<b>L5 (mm):</b>	61.0
<b>L6 (mm):</b>	142.9