

# Wire Straightener open KIT D35.0 x 94.0mm

This KIT contains one piece each: Pos.1 119822 Wire straightener Pos.2 118428 Connector to WDS ME9900, ME2000-37 und ME2000-40 Pos.3 70376 Inlet guide tube ID 2.0 Pos.4 118506 Inlet guide for wire straightener

Item number:	119823
Product weight (kg):	0.333 kg
Packing unit:	1

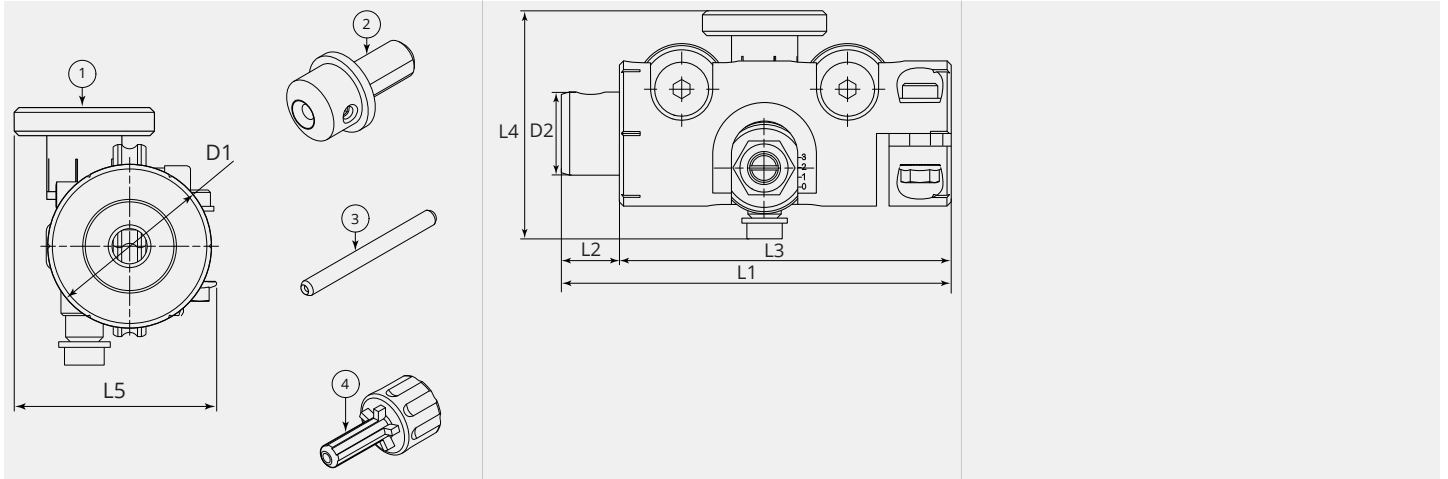


## PRODUCT DESCRIPTION

This KIT contains one piece each: Pos.1 119822 Wire straightener Pos.2 118428 Connector to WDS ME9900, ME2000-37 und ME2000-40 Pos.3 70376 Inlet guide tube ID 2.0 Pos.4 118506 Inlet guide for wire straightener

## TECHNICAL CHARACTERISTICS

Wire (mm):	0.5 - 1.6
Version:	Open
Material:	Aluminium
Surface:	Hard anodising
Suitable:	ME8700, ME9300, ME9900, ME2000-37, ME2000-40, ME2500-37, ME2500-40

**DIMENSIONAL DRAWING**

**DIMENSIONAL DRAWING**

<b>L1 (mm):</b>	94.0
<b>L2 (mm):</b>	14.0
<b>L3 (mm):</b>	80.0
<b>L4 (mm):</b>	55.0
<b>L5 (mm):</b>	43.0
<b>D1 (Ø):</b>	35
<b>D2 (Ø):</b>	20.0