

Motor 42VDC, 260rpm, 130.0watt

Right side with encoder 2x 60 pulse

Includes power and encoder cable

Item number: 119808

Packing unit: 1



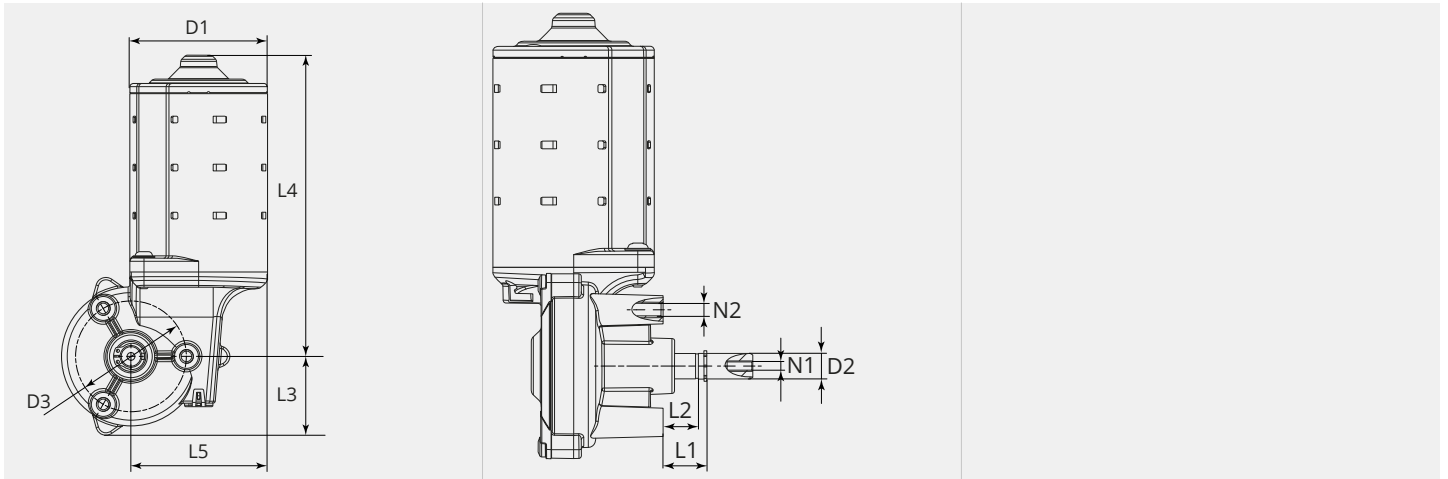
PRODUCT DESCRIPTION

Right side with encoder 2x 60 pulse

Includes power and encoder cable

TECHNICAL CHARACTERISTICS

Speed (rpm):	260
Operating voltage DC (V):	42
Current (A):	3.1
Power (W):	130
Additional:	Encoder 2x 60 pulse
Operating voltage for encoder DC (V):	4 - 6
Version:	Right
Wire speed 30mm feedroll (m/min.):	24.5
Wire speed 37mm feedroll (m/min.):	30.2
Wire speed 40mm feedroll (m/min.):	32.67
Active cooling:	no
Suitable:	ME8900, ME9300, ME9500, ME9800, ME9900-4R, ME2000

DIMENSIONAL DRAWING

DIMENSIONAL DRAWING

L1 (mm):	17.0
L2 (mm):	13.5
L3 (mm):	39.5
L4 (mm):	138.0
L5 (mm):	67.0
D1 (Ø):	63
D2 (Ø):	10-f6
D3 (Ø):	50.8
N1:	M4
N2:	M6