

Motor insulation kit

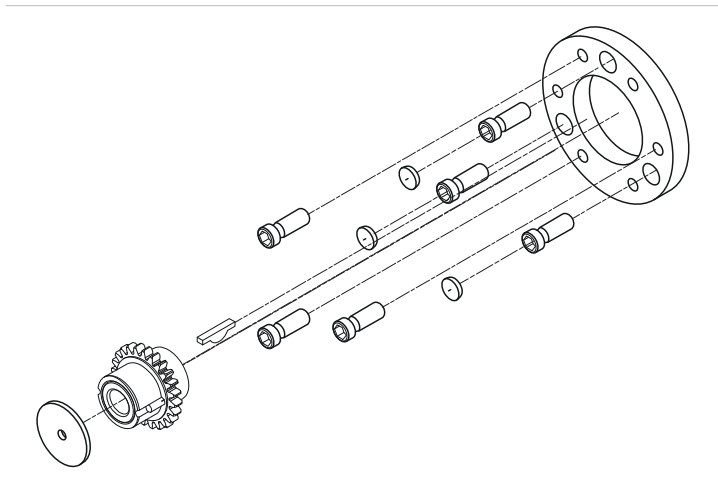
Applies for series: ME8700 upper roller driven, ME9900-2R upper roller driven

| | |
|----------------------|----------|
| Item number: | 119656 |
| Product weight (kg): | 0.108 kg |
| Packing unit: | 1 |



PRODUCT DESCRIPTION

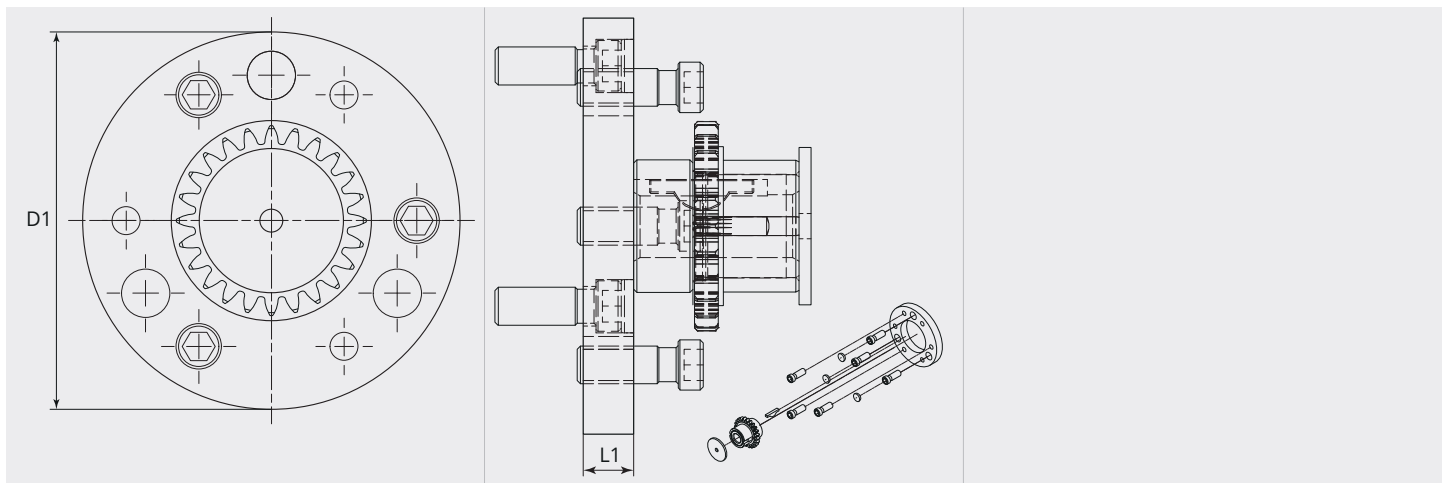
Applies for series: ME8700 upper roller driven, ME9900-2R upper roller driven



TECHNICAL CHARACTERISTICS

| | |
|---------------------------|------------------------|
| Motor/gear distance (mm): | 12.5 |
| Arrangement Rolls: | Top and bottom |
| Material: | polyoxymethylene (POM) |
| Suitable: | ME8700, ME9900-2R |

DIMENSIONAL DRAWING



DIMENSIONAL DRAWING

| | |
|----------|-----|
| L1 (mm): | 9.0 |
| D1 (Ø): | 66 |