

Motor insulation kit

Applies for series: ME8700, ME9900-2R

Item number: 119655

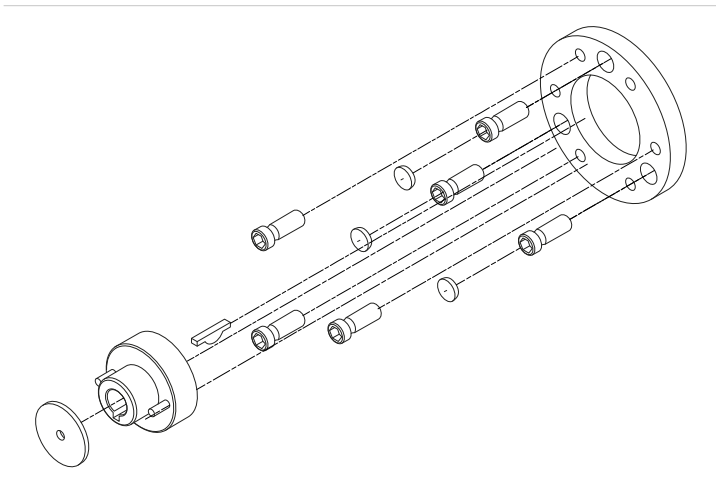
Product weight (kg): 0.124 kg

Packing unit: 1



PRODUCT DESCRIPTION

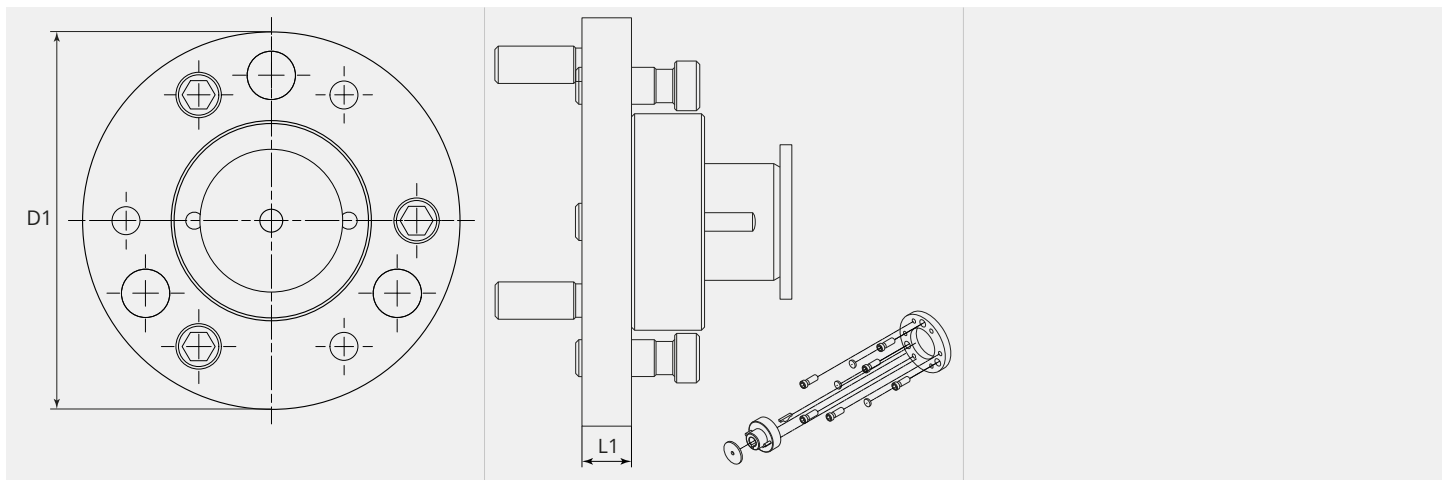
Applies for series: ME8700, ME9900-2R



TECHNICAL CHARACTERISTICS

Motor/gear distance (mm):	12.5
Arrangement Rolls:	Bottom
Material:	polyoxymethylene (POM)
Suitable:	ME8700, ME9900-2R

DIMENSIONAL DRAWING



DIMENSIONAL DRAWING

L1 (mm):	9.0
D1 (Ø):	66