

# Motor insulation kit

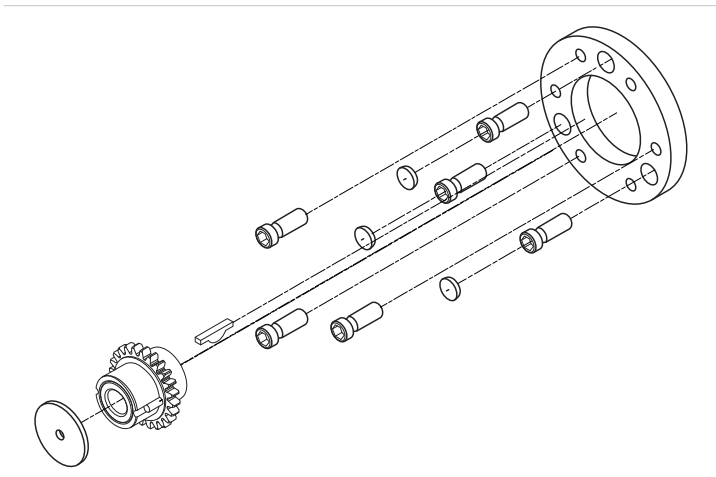
Applies for series: ME9800

Item number:	119654
Product weight (kg):	0.105 kg
Packing unit:	1



## PRODUCT DESCRIPTION

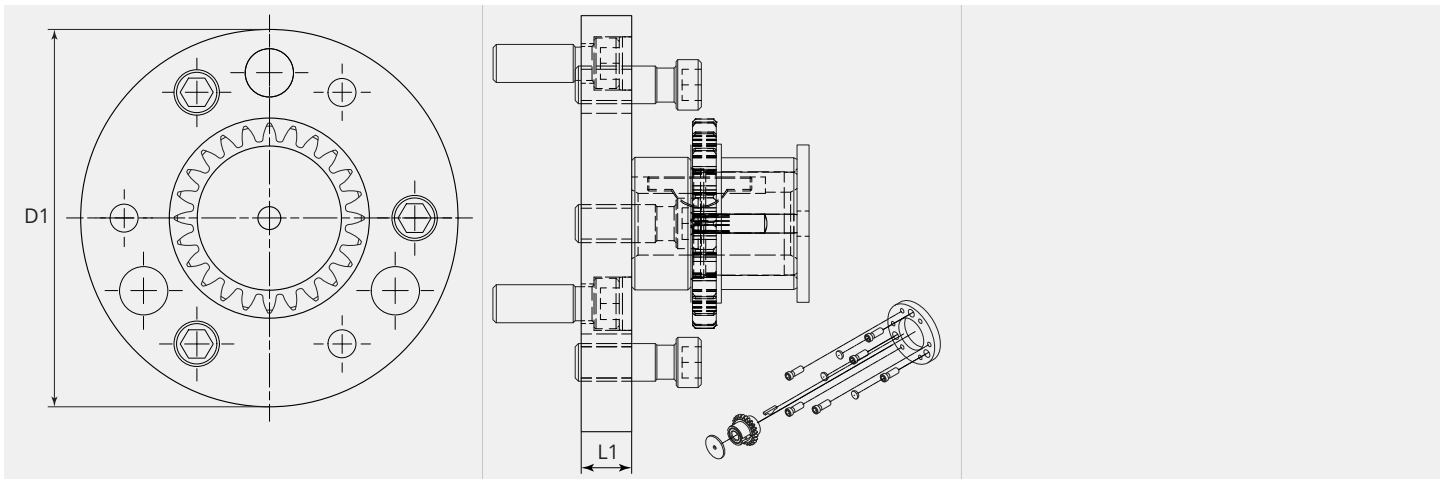
Applies for series: ME9800



## TECHNICAL CHARACTERISTICS

Motor/gear distance (mm):	17
Material:	polyoxymethylene (POM)
Suitable:	ME9800

## DIMENSIONAL DRAWING



## DIMENSIONAL DRAWING

L1 (mm):	8.0
D1 (Ø):	66