

Motor insulation kit

Applies for series: MEFRC2000-40, upper roller driven

Item number: 119653

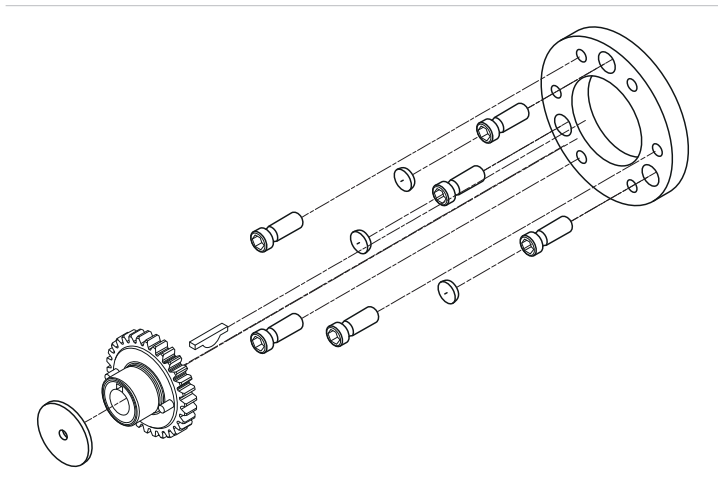
Product weight (kg): 0.134 kg

Packing unit: 1



PRODUCT DESCRIPTION

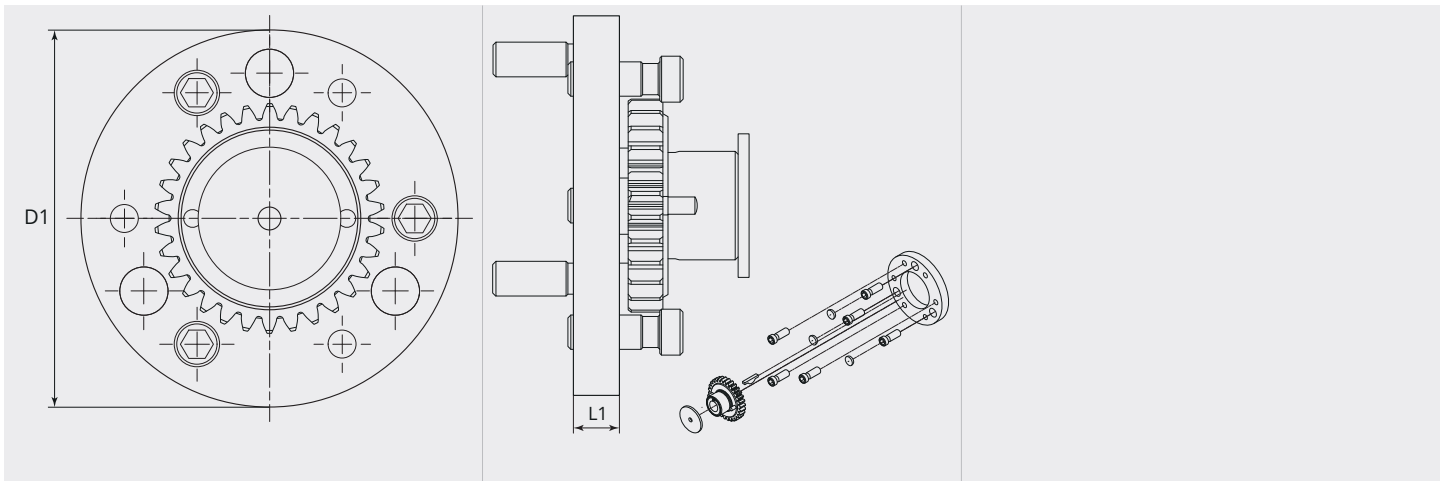
Applies for series: MEFRC2000-40, upper roller driven



TECHNICAL CHARACTERISTICS

| | |
|---------------------------|------------------------|
| Motor/gear distance (mm): | 12.5 |
| Arrangement Rolls: | Top and bottom |
| Material: | polyoxymethylene (POM) |
| Suitable: | ME2500-40 |

DIMENSIONAL DRAWING



DIMENSIONAL DRAWING

| | |
|----------|-----|
| L1 (mm): | 8.0 |
| D1 (Ø): | 66 |