

Motor insulation kit

Applies for series: MEFRC2000-37, upper roller driven

Item number: 119652

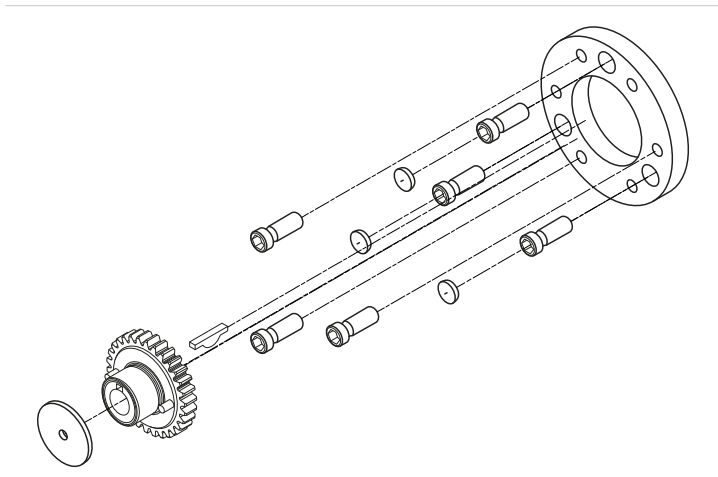
Product weight (kg): 0.125 kg

Packing unit: 1



PRODUCT DESCRIPTION

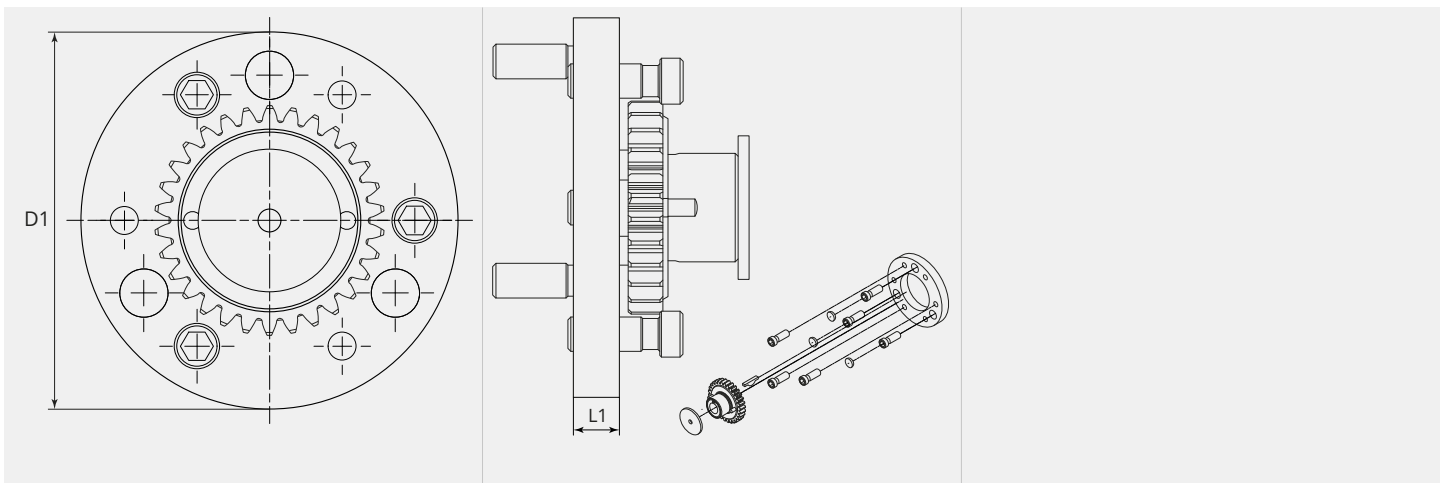
Applies for series: MEFRC2000-37, upper roller driven



TECHNICAL CHARACTERISTICS

Motor/gear distance (mm):	12.5
Arrangement Rolls:	Top and bottom
Material:	polyoxymethylene (POM)
Suitable:	ME2500-37

DIMENSIONAL DRAWING



DIMENSIONAL DRAWING

L1 (mm):	8.0
D1 (Ø):	66