

# Motor insulation kit

Applies for series: ME2500-37, ME2500-40

Item number: 119651

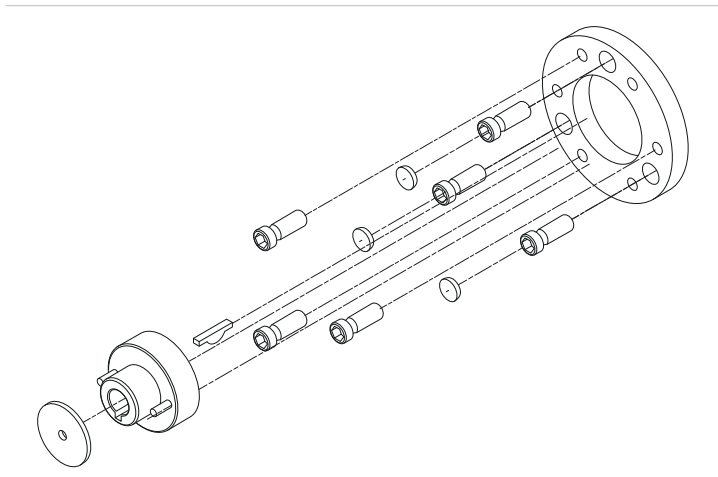
Product weight (kg): 0.092 kg

Packing unit: 1



## PRODUCT DESCRIPTION

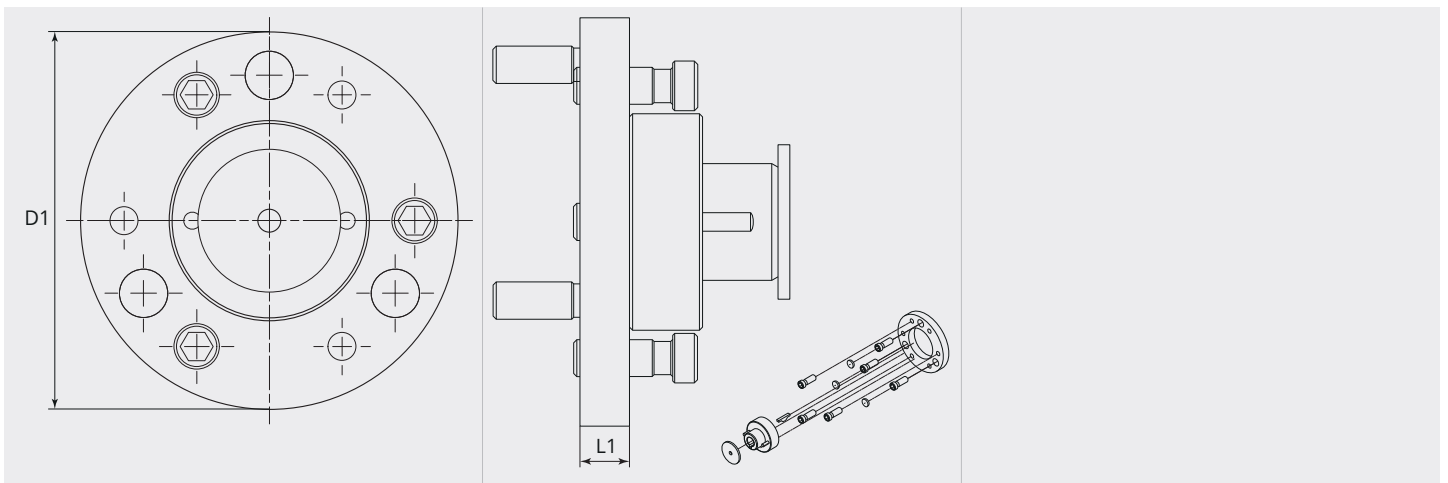
Applies for series: ME2500-37, ME2500-40



## TECHNICAL CHARACTERISTICS

Motor/gear distance (mm):	12.5
Arrangement Rolls:	Bottom
Material:	polyoxymethylene (POM)
Suitable:	ME2500-37, ME2500-40

## DIMENSIONAL DRAWING



## DIMENSIONAL DRAWING

L1 (mm):	8.0
D1 (Ø):	66