

# Inlet Guide synthetic for 1.6 - 3.0mm Wire

Applies for series: ME1800

Item number:	119627
Packing unit:	1

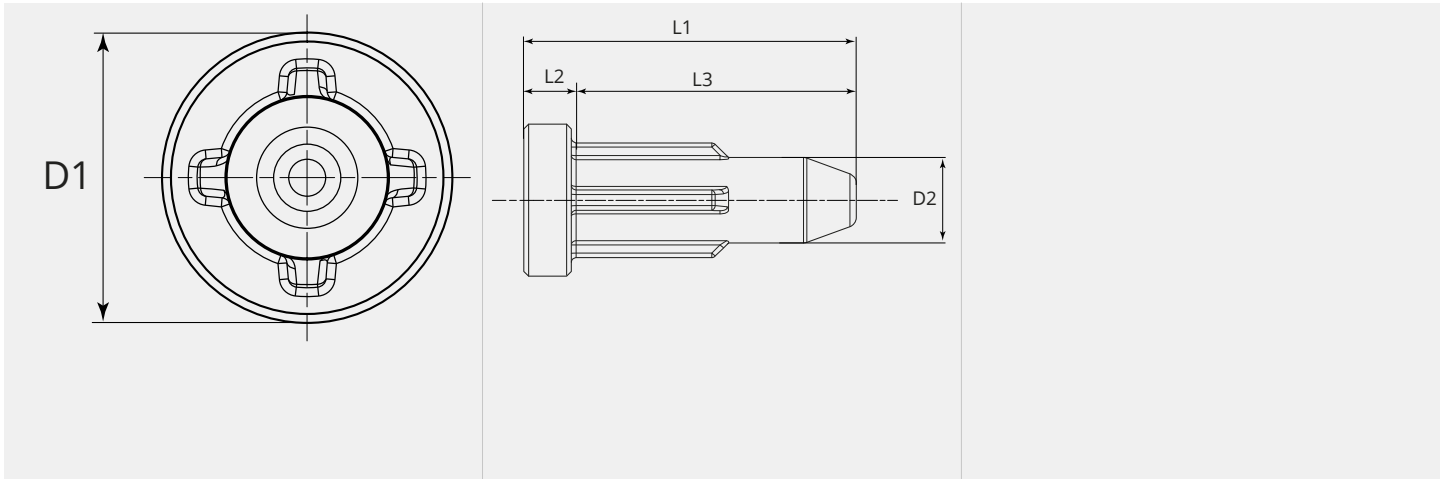


## PRODUCT DESCRIPTION

Applies for series: ME1800

## TECHNICAL CHARACTERISTICS

Wire (mm):	1.6 - 3.2
Welding wire:	Steel / aluminium / cored wire
Material:	Plastic
Suitable:	ME1800

**DIMENSIONAL DRAWING**

**DIMENSIONAL DRAWING**

<b>L1 (mm):</b>	35.0
<b>L2 (mm):</b>	5.0
<b>L3 (mm):</b>	30.0
<b>D1 (Ø):</b>	16
<b>D2 (Ø):</b>	12.0