

Inlet Guide synthetic for 0.5 - 1.6mm Wire

Applies for series: ME1800

Item number: 119483

Packing unit: 1

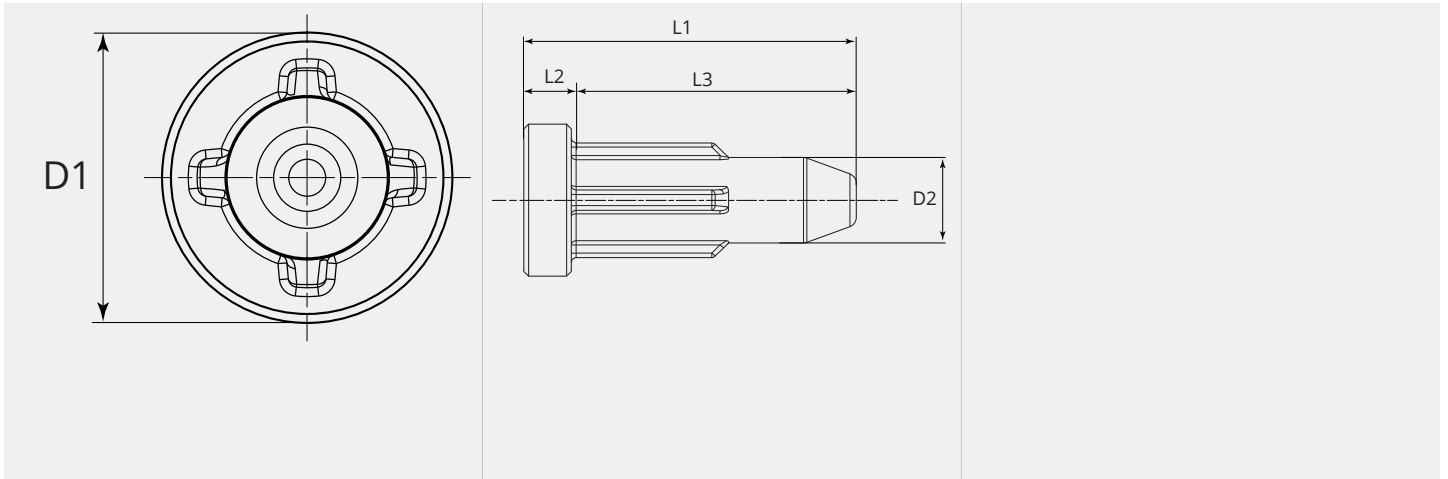


PRODUCT DESCRIPTION

Applies for series: ME1800

TECHNICAL CHARACTERISTICS

Wire (mm):	0.5 - 1.6
Welding wire:	Steel / aluminium / cored wire
Material:	Plastic
Suitable:	ME1800

DIMENSIONAL DRAWING

DIMENSIONAL DRAWING

L1 (mm):	35.0
L2 (mm):	5.0
L3 (mm):	30.0
D1 (Ø):	16
D2 (Ø):	12.0