

Inlet Guide Stainless steel for 0.5 - 1.6mm Wire

Applies for series: ME9800

Item number:	119382
Product weight (kg):	0.0223 kg
Packing unit:	1

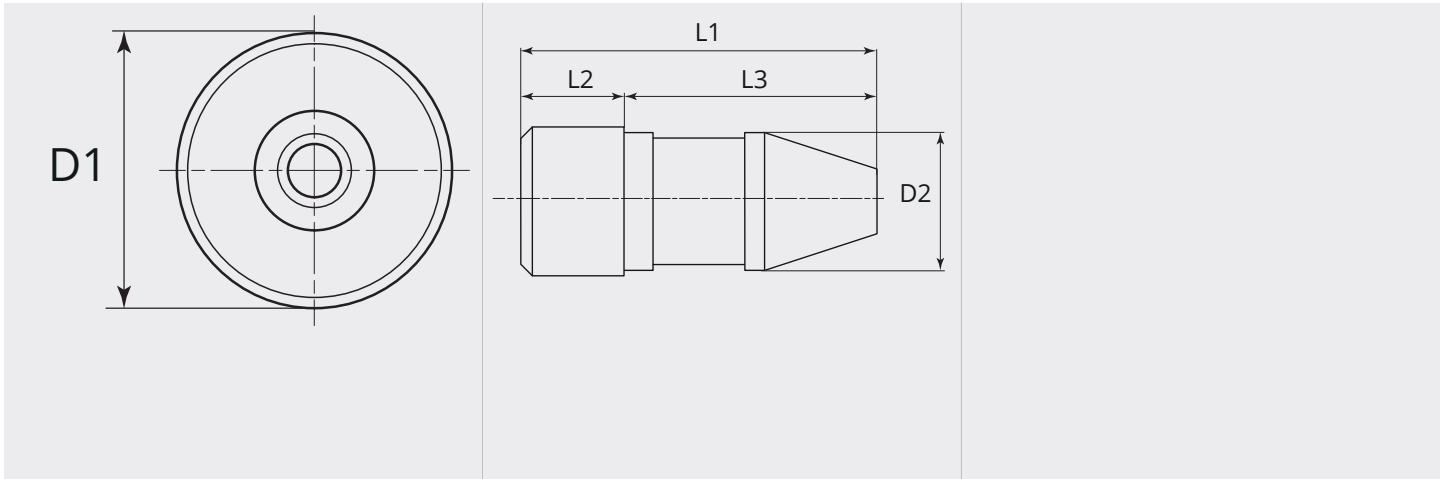


PRODUCT DESCRIPTION

Applies for series: ME9800

TECHNICAL CHARACTERISTICS

Wire (mm):	0.5 - 1.6
Welding wire:	Stainless steel
Material:	Stainless steel
Suitable:	ME9800

DIMENSIONAL DRAWING

DIMENSIONAL DRAWING

L1 (mm):	31.0
L2 (mm):	9.0
L3 (mm):	22.0
D1 (Ø):	13
D2 (Ø):	12.0