

Connection Tube with locknut and clamp ring L=25.0mm M12x1.5

Applies for central adaptor machine side

Item number:	119294
Packing unit:	1

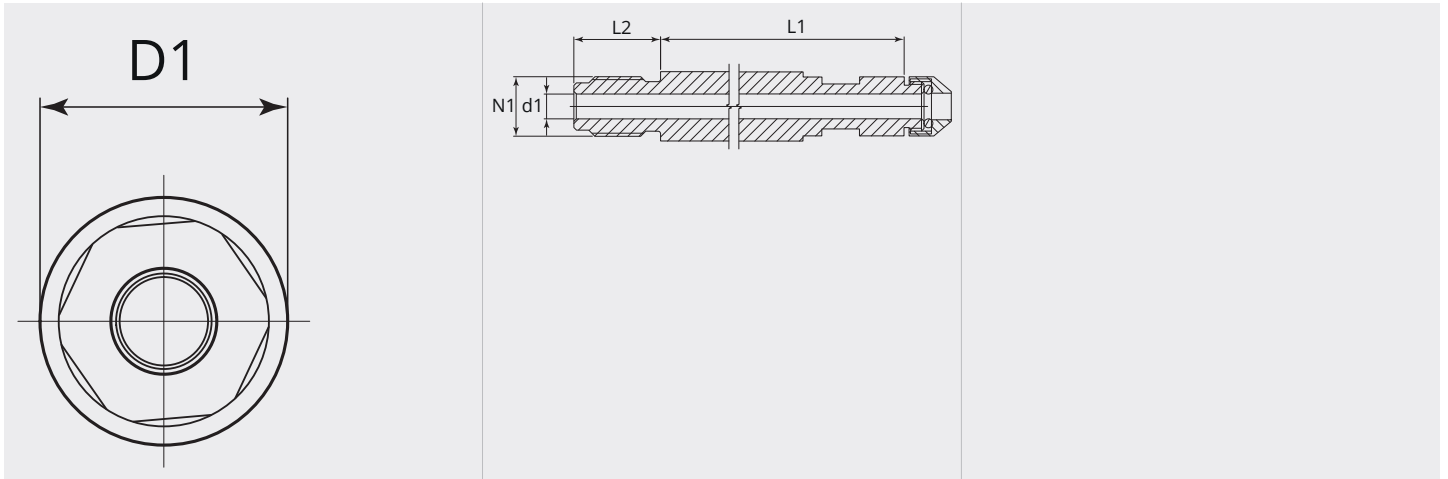


PRODUCT DESCRIPTION

Applies for central adaptor machine side

TECHNICAL CHARACTERISTICS

Version:	Round
Terminal side:	Machine
Material:	Brass

DIMENSIONAL DRAWING

DIMENSIONAL DRAWING

L1 (mm):	25.0
L2 (mm):	14.0
D1 (Ø):	14
d1 (Ø):	5.4
N1:	M12x1.5