

# Motor 24VDC, 160rpm, 76.8watt

Left side with encoder 2x 37 pulse

Includes power and encoder cable

Item number: 119280

Product weight (kg): 1.0609 kg

Packing unit: 1



## PRODUCT DESCRIPTION

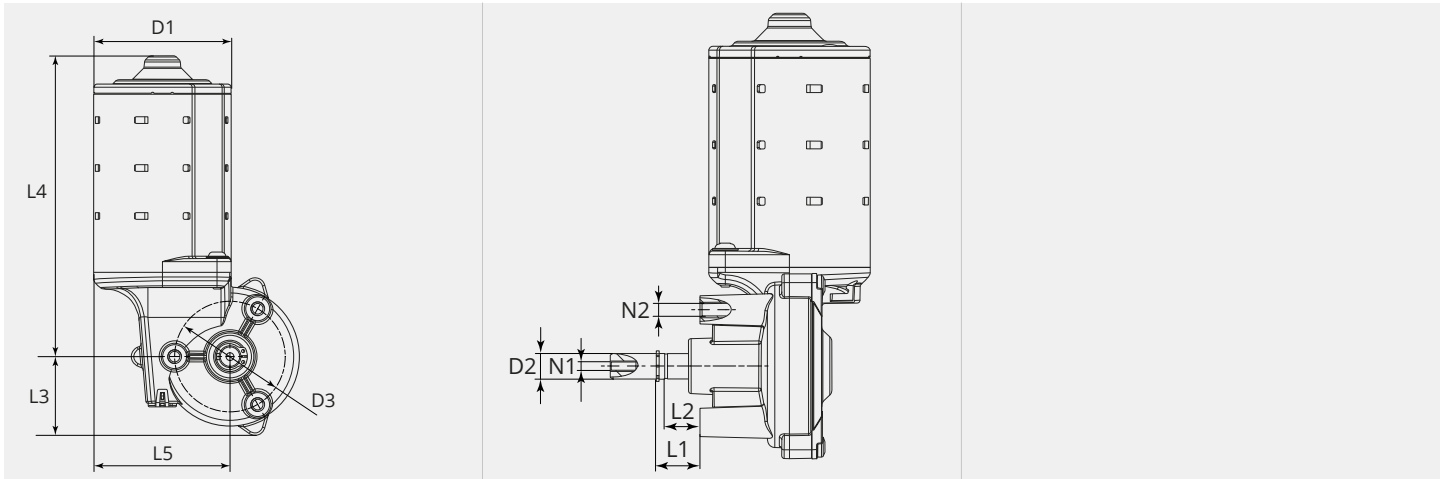
Left side with encoder 2x 37 pulse

Includes power and encoder cable



**TECHNICAL CHARACTERISTICS**

<b>Speed (rpm):</b>	160
<b>Operating voltage DC (V):</b>	24
<b>Current (A):</b>	3.2
<b>Power (W):</b>	76.8
<b>Additional:</b>	Encoder 2x 60 pulse
<b>Operating voltage for encoder DC (V):</b>	4 - 6
<b>Version:</b>	Left
<b>Wire speed 30mm feedroll (m/min.):</b>	15.08
<b>Wire speed 37mm feedroll (m/min.):</b>	18.6
<b>Wire speed 40mm feedroll (m/min.):</b>	20.11
<b>Active cooling:</b>	no
<b>Suitable:</b>	ME8700, ME8900, ME9800, ME9900-2R, ME9900-4R, ME2500

**DIMENSIONAL DRAWING**

**DIMENSIONAL DRAWING**

L1 (mm):	12.5
L3 (mm):	39.5
L4 (mm):	138.0
L5 (mm):	62.5
D1 (Ø):	63
D2 (Ø):	10-f6
D3 (Ø):	50.8
N1:	M4
N2:	M6