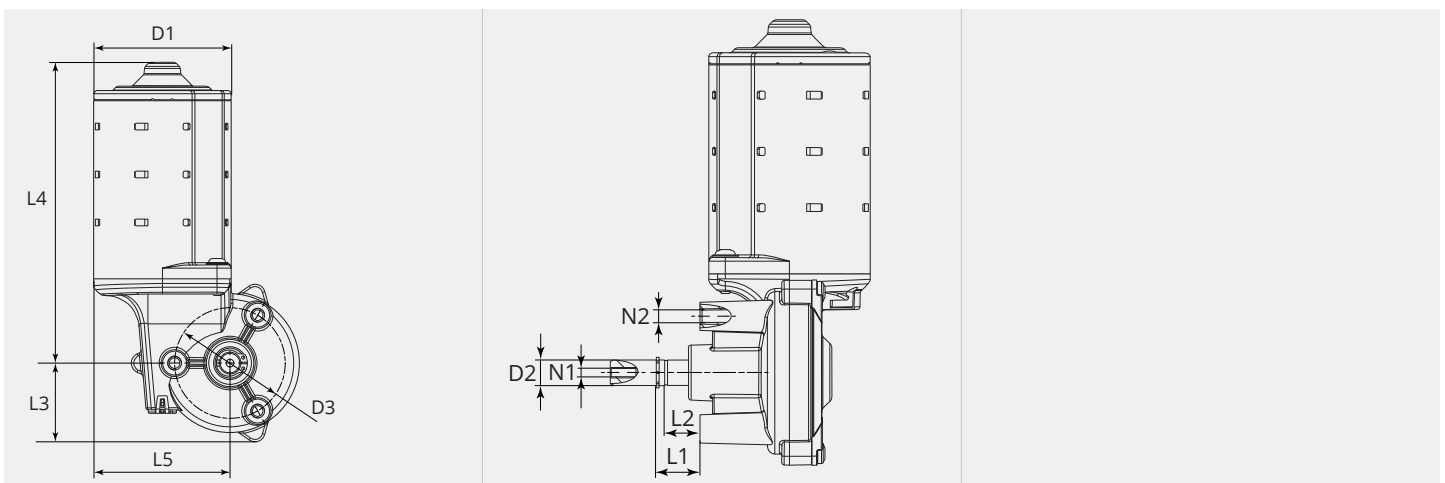




## TECHNICAL CHARACTERISTICS

|                                    |  |
|------------------------------------|--|
| Speed (rpm):                       | 199  |
| Operating voltage DC (V):          | 42   |
| Current (A):                       | 2.5  |
| Power (W):                         | 105  |
| Additional:                        | -  |
| Version:                           | Left   |
| Wire speed 30mm feedroll (m/min.): | 18.75  |
| Wire speed 37mm feedroll (m/min.): | 23.13  |
| Wire speed 40mm feedroll (m/min.): | 25.13  |
| Active cooling:                    | no   |
| Suitable:                          | ME8700, ME8900, ME9800, ME9900-2R, ME9900-4R, ME2500 |

## DIMENSIONAL DRAWING



**DIMENSIONAL DRAWING**

|                 |       |
|-----------------|-------|
| <b>L1 (mm):</b> | 15.5  |
| <b>L2 (mm):</b> | 12.5  |
| <b>L3 (mm):</b> | 39.5  |
| <b>L4 (mm):</b> | 138.0 |
| <b>L5 (mm):</b> | 62.5  |
| <b>D1 (Ø):</b>  | 63    |
| <b>D2 (Ø):</b>  | 10-f6 |
| <b>D3 (Ø):</b>  | 50.8  |
| <b>N1:</b>      | M4    |
| <b>N2:</b>      | M6    |