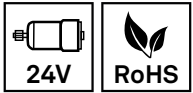


Motor 24VDC, 200rpm, 79.2watt

Left side, includes power cable

Item number:	119150
Product weight (kg):	1.087 kg
Packing unit:	1



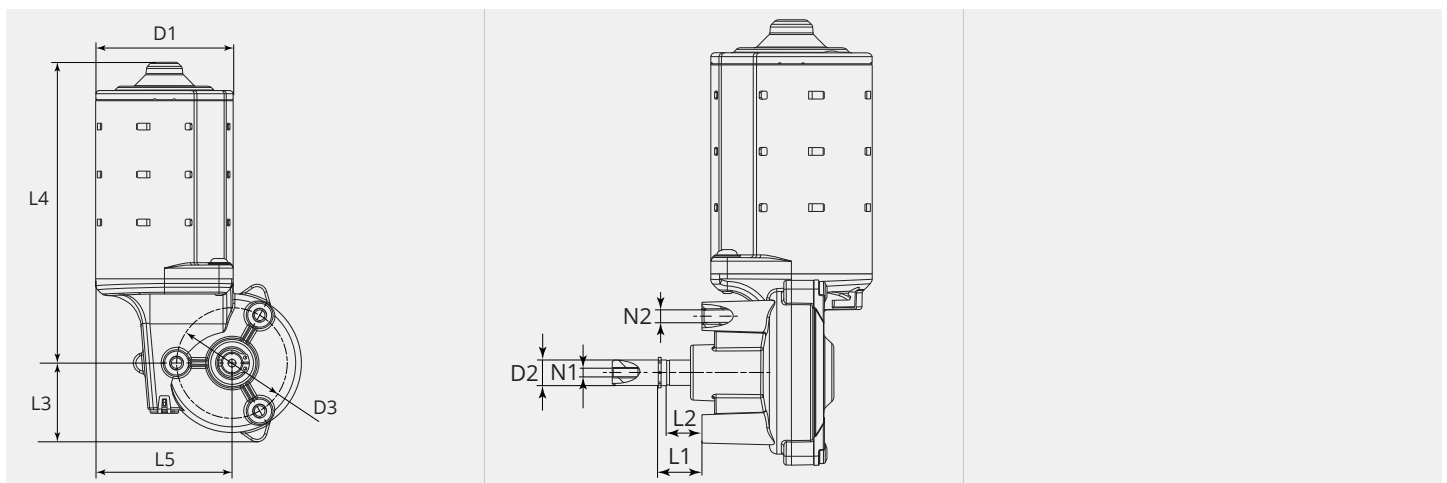
PRODUCT DESCRIPTION

Left side, includes power cable

TECHNICAL CHARACTERISTICS

Speed (rpm):	200
Operating voltage DC (V):	24
Current (A):	3.3
Power (W):	79.2
Additional:	-
Version:	Left
Wire speed 30mm feedroll (m/min.):	18.85
Wire speed 37mm feedroll (m/min.):	23.25
Wire speed 40mm feedroll (m/min.):	25.13
Active cooling:	no
Suitable:	ME8900, ME9300, ME9500, ME9800, ME9900-4R, ME2000

DIMENSIONAL DRAWING



DIMENSIONAL DRAWING

L1 (mm):	17.0
L2 (mm):	13.5
L3 (mm):	39.5
L4 (mm):	138.0
L5 (mm):	62.5
D1 (Ø):	63
D2 (Ø):	10-f6
D3 (Ø):	50.8
N1:	M4
N2:	M6