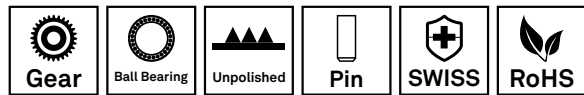


Gear Adaptor Feed Roll with ball bearing, nickel plated, unpolished

Applies for series: ME9300, ME2000-37, ME2500-37, ME2600-37

Item number: 118976

Packing unit: 1



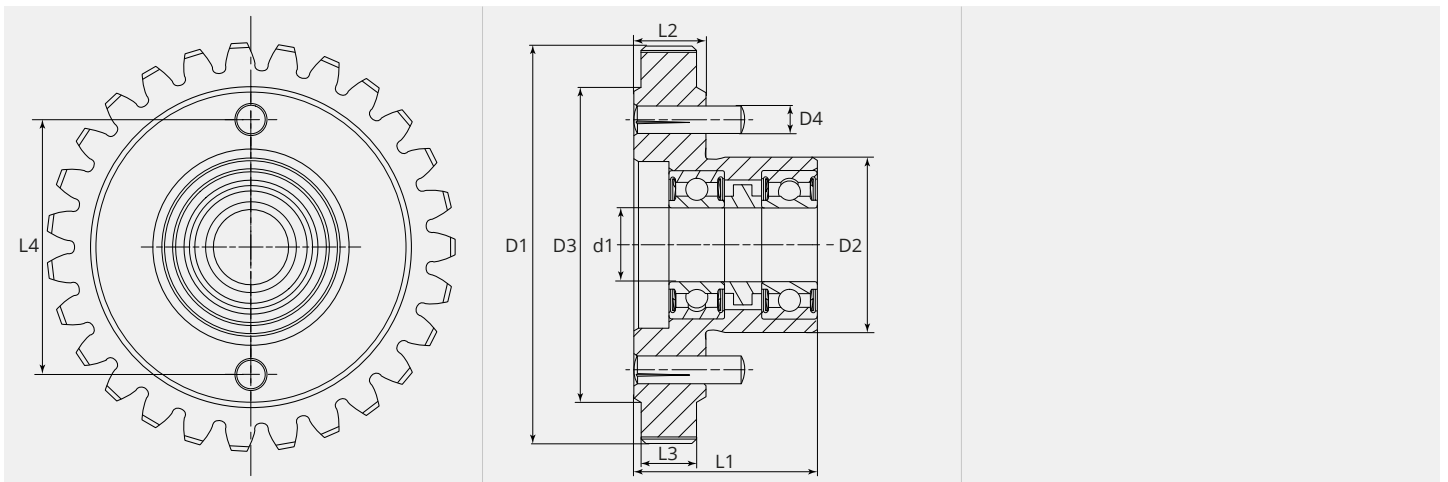
PRODUCT DESCRIPTION

Applies for series: ME9300, ME2000-37, ME2500-37, ME2600-37

TECHNICAL CHARACTERISTICS

Type of setting:	Axle shaft gear adaptor
Material:	Hardened steel
Surface:	Electroless nickel
Bearing:	Ball bearing
Feed Roll support:	Unpolished
Driving pin type:	Pin
Concentricity:	0.05
Specifics:	Use only in the pressure arm

DIMENSIONAL DRAWING





DIMENSIONAL DRAWING

L1 (mm):	19.80
L2 (mm):	7.80
L3 (mm):	6.00
L4 (mm):	27.00
D1 (Ø):	40.2
D2 (Ø):	18.90
D3 (Ø):	32.00
D4 (Ø):	3.00
d1 (Ø):	8.00