

# Gear Adaptor Feed Roll with ball bearing, black-finish, unpolished

Applies for series: ME2000-40, ME2500-40, ME2600-40

Item number: 118975

Packing unit: 1



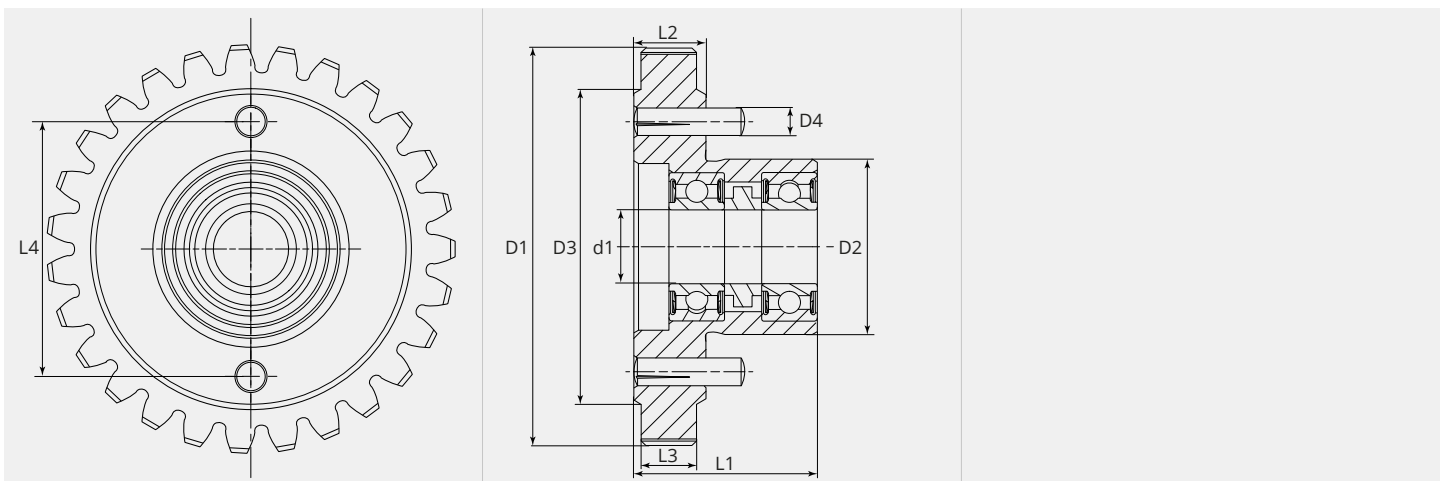
## PRODUCT DESCRIPTION

Applies for series: ME2000-40, ME2500-40, ME2600-40

## TECHNICAL CHARACTERISTICS

<b>Type of setting:</b>	Axle shaft gear adaptor
<b>Material:</b>	Hardened steel
<b>Surface:</b>	Black-finish
<b>Bearing:</b>	Ball bearing
<b>Feed Roll support:</b>	Unpolished
<b>Driving pin type:</b>	Pin
<b>Concentricity:</b>	0.05
<b>Specifics:</b>	Use only in the pressure arm

## DIMENSIONAL DRAWING





**DIMENSIONAL DRAWING**

<b>L1 (mm):</b>	19.80
<b>L2 (mm):</b>	7.80
<b>L3 (mm):</b>	6.00
<b>L4 (mm):</b>	27.00
<b>D1 (Ø):</b>	43.3
<b>D2 (Ø):</b>	18.90
<b>D3 (Ø):</b>	34.00
<b>D4 (Ø):</b>	3.00
<b>d1 (Ø):</b>	8.00