

Wire Straightener D35.0 x 94.0mm

Several wire straighteners can also be coupled one behind the other. This creates a straightened wire.

Item number:	118430
Product weight (kg):	0.285 kg
Packing unit:	1

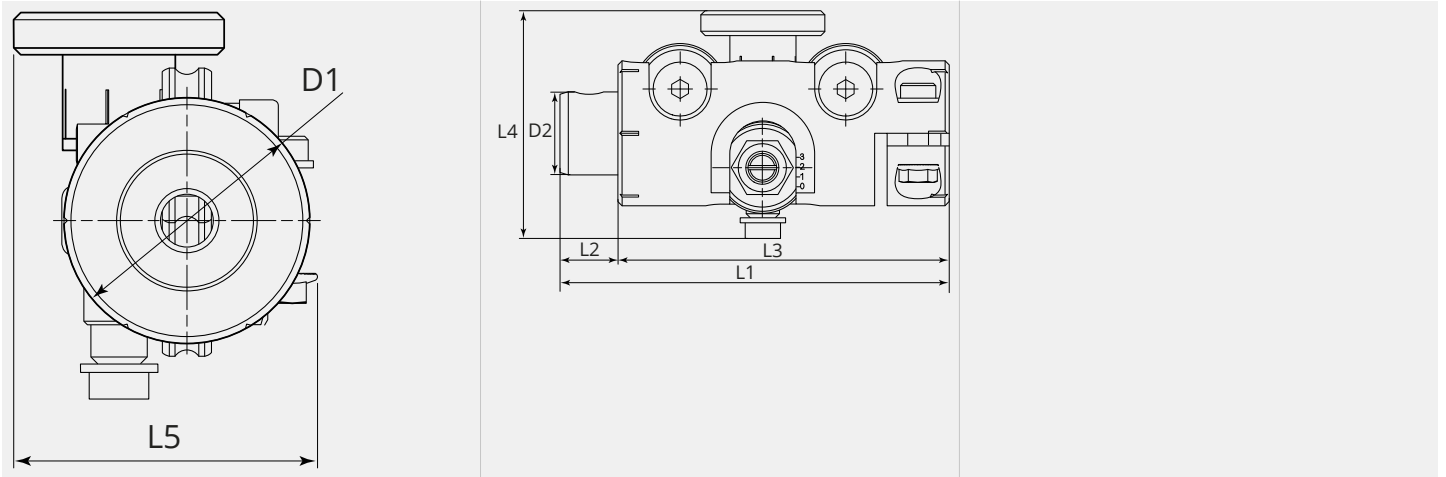


PRODUCT DESCRIPTION

Several wire straighteners can also be coupled one behind the other. This creates a straightened wire.

TECHNICAL CHARACTERISTICS

Wire (mm):	0.5 - 1.6
Version:	Closed
Material:	Aluminium
Surface:	Hard anodising
Suitable:	ME8700, ME9300, ME9900, ME2000-37, ME2000-40, ME2500-37, ME2500-40

DIMENSIONAL DRAWING

DIMENSIONAL DRAWING

L1 (mm):	94.0
L2 (mm):	14.0
L3 (mm):	80.0
L4 (mm):	55.0
L5 (mm):	43.0
D1 (Ø):	35
D2 (Ø):	20.0