

Feed Roll insulated 30mm 1.0+1.2 for steel wire

Suitable for series: ME8700, ME9900-2R in conjunction with main gear drive 118279 and insulating washer 116824 for ME8700 and 114979 for ME9900-2R

Item number: 118282

Product weight (kg): 0.032 kg

Packing unit: 1



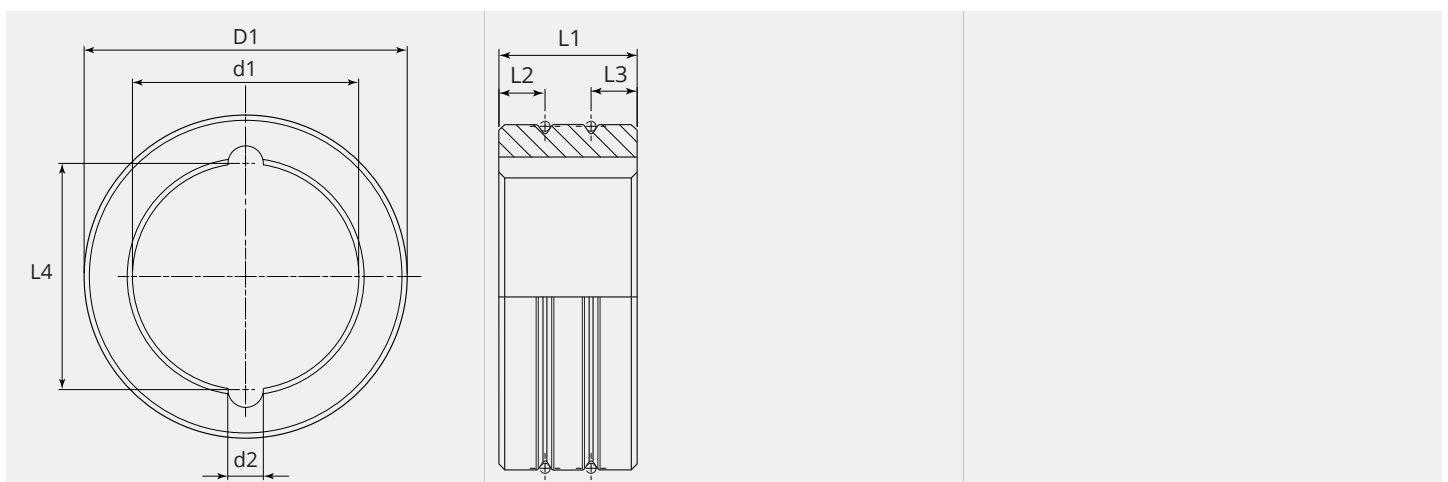
PRODUCT DESCRIPTION

Suitable for series: ME8700, ME9900-2R in conjunction with main gear drive 118279 and insulating washer 116824 for ME8700 and 114979 for ME9900-2R

TECHNICAL CHARACTERISTICS

Wire (mm):	1.0 + 1.2
Welding wire:	Steel
Groove shape:	V
Characteristics of the groove:	flat
Isolated:	yes
Type of setting:	Isolated
Material:	Hardened steel
Surface:	Black-finish
Arrangement Rolls:	Top and bottom

DIMENSIONAL DRAWING



DIMENSIONAL DRAWING

L1 (mm):	12.00
L2 (mm):	4.00
L3 (mm):	4.00
L4 (mm):	21.00
D1 (Ø):	30
d1 (Ø):	21.00
d2 (Ø):	3.30

From 300 pieces we produce your personal feed roll with logo. On request feed rolls are also available in stainless steel.