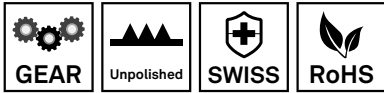


Main Gear Drive isolated, black-finish

Applies for series: ME9800

Item number:	118279
Product weight (kg):	0.0327 kg
Packing unit:	1



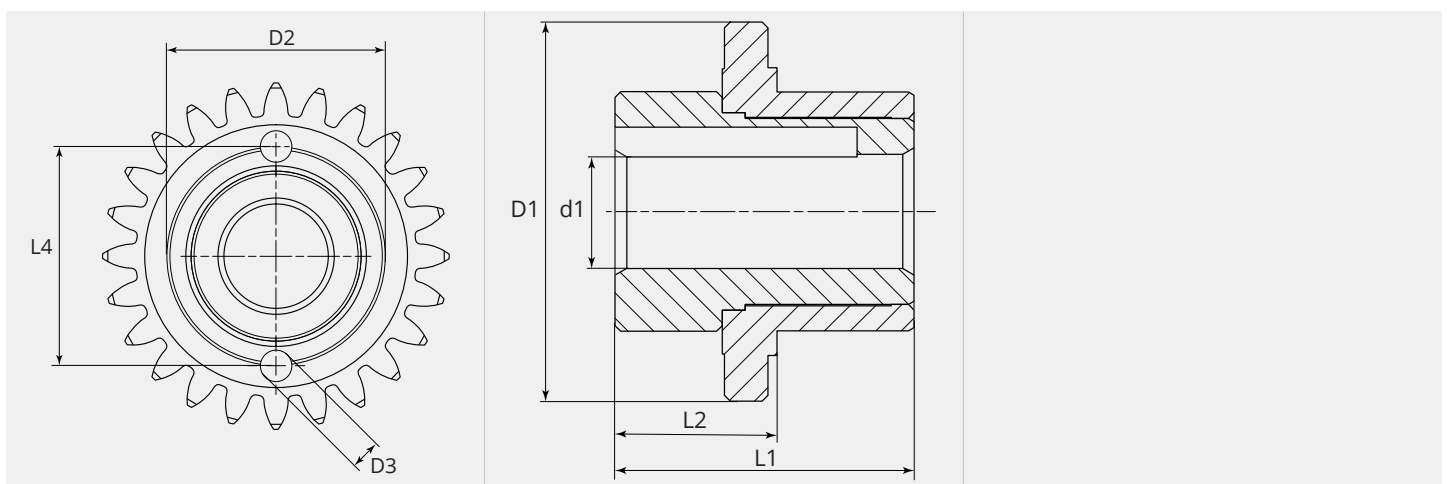
PRODUCT DESCRIPTION

Applies for series: ME9800

TECHNICAL CHARACTERISTICS

Type of setting:	Motor shaft
Material:	Hardened steel
Surface:	Black-finish
Isolated:	no
Feed Roll support:	Unpolished
Motor/gear distance (mm):	17
Driving pin type:	W/O
Specifics:	Suitable for feed roll 30mm insulated. Can be used with insulation disc part number 114979.

DIMENSIONAL DRAWING





DIMENSIONAL DRAWING

L1 (mm):	26.20
L2 (mm):	14.20
L3 (mm):	12.60
L4 (mm):	21.00
B1 (mm):	3.00
D1 (Ø):	33.2
D2 (Ø):	20.90
D3 (Ø):	3.00
d1 (Ø):	10.00