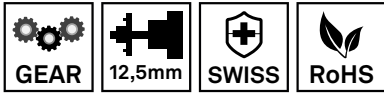


# Main Gear Drive isolated, black-finish

Applies for series: ME2500-37

Item number:	118270
Product weight (kg):	0.0525 kg
Packing unit:	1

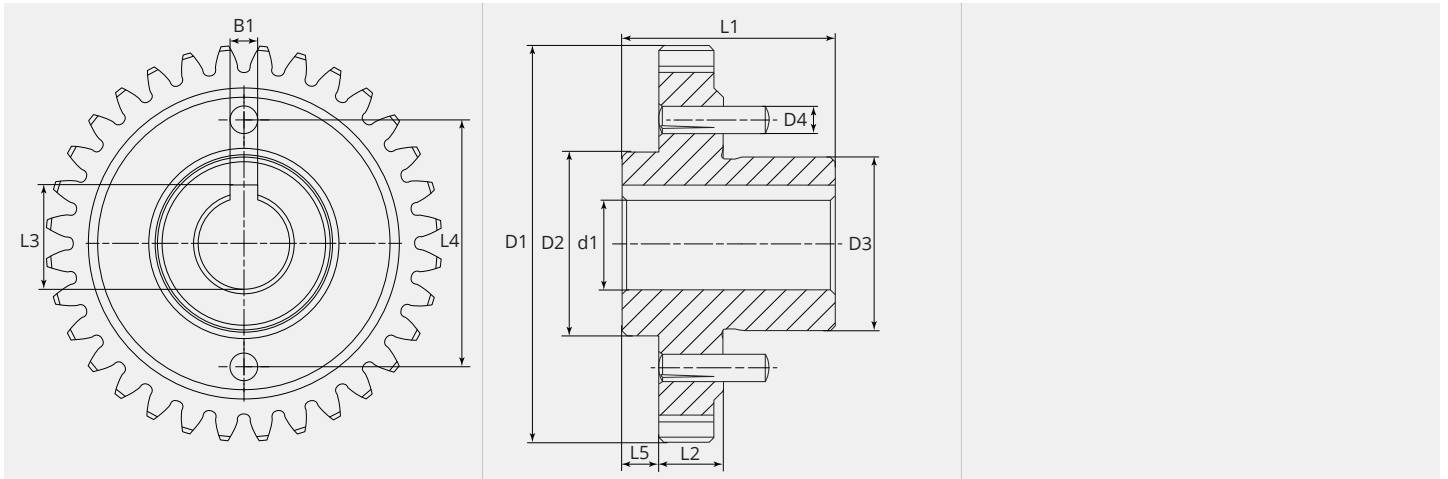


## PRODUCT DESCRIPTION

Applies for series: ME2500-37

## TECHNICAL CHARACTERISTICS

Type of setting:	Motor shaft isolated
Material:	Hardened steel
Surface:	Black-finish
Isolated:	no
Feed Roll support:	insulated
Motor/gear distance (mm):	12.5
Driving pin type:	Pin
Motor positions:	in the centre

**DIMENSIONAL DRAWING**

**DIMENSIONAL DRAWING**

L1 (mm):	20.60
L2 (mm):	6.90
L3 (mm):	12.60
L4 (mm):	27.00
L5 (mm):	1.50
B1 (mm):	3.00
D1 (Ø):	40.2
D2 (Ø):	20.00
D3 (Ø):	18.90
D4 (Ø):	3.00
d1 (Ø):	10.00