

# Feed Roll 30mm 1.2+1.2 for steel wire

Suitable for series: ME8900, ME9900-4R in conjunction with a suitable ball bearing and gear ring

Item number:	118262
Product weight (kg):	0.043 kg
Packing unit:	1

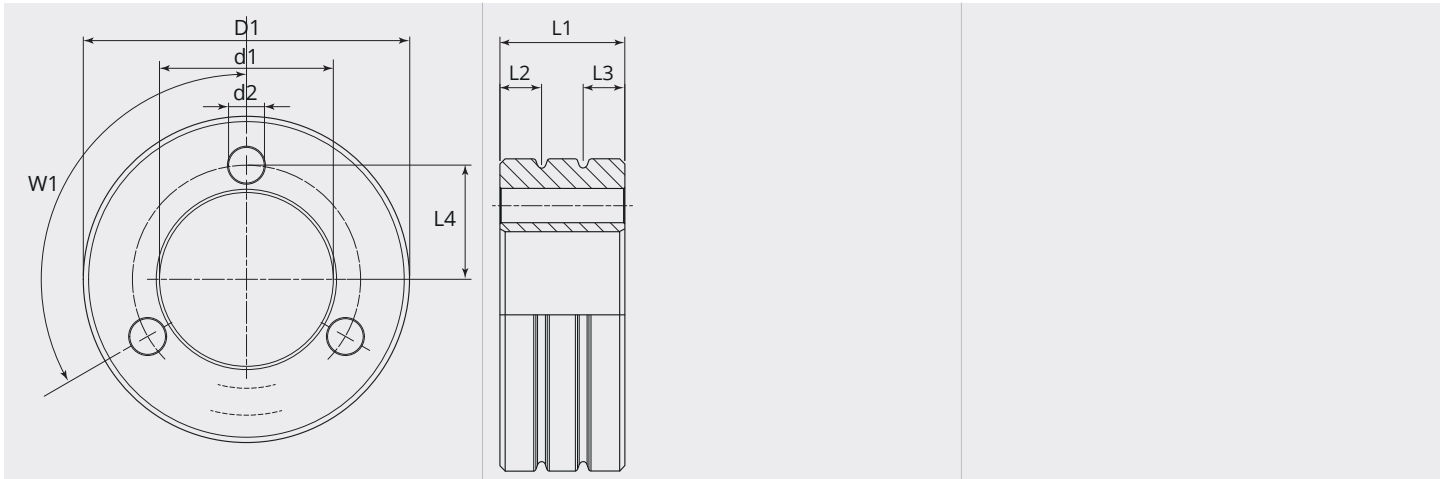


## PRODUCT DESCRIPTION

Suitable for series: ME8900, ME9900-4R in conjunction with a suitable ball bearing and gear ring

## TECHNICAL CHARACTERISTICS

Wire (mm):	1.2 + 1.2
Welding wire:	Steel
Groove shape:	V
Characteristics of the groove:	flatt
Type of setting:	Ball bearing
Material:	Hardened steel
Surface:	Black-finish
Arrangement Rolls:	Bottom

**DIMENSIONAL DRAWING**

**DIMENSIONAL DRAWING**

L1 (mm):	12.00
L2 (mm):	4.00
L3 (mm):	4.00
L4 (mm):	10.50
D1 (Ø):	30
d1 (Ø):	16.00
d2 (Ø):	3.30
W1 (°):	3 x 120

From 300 pieces we produce your personal feed roll with logo. On request feed rolls are also available in stainless steel.