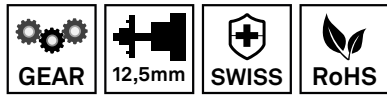


# Main Gear Drive isolated, black-finish

Applies for series: ME2500-40

Item number:	118258
Product weight (kg):	0.062 kg
Packing unit:	1

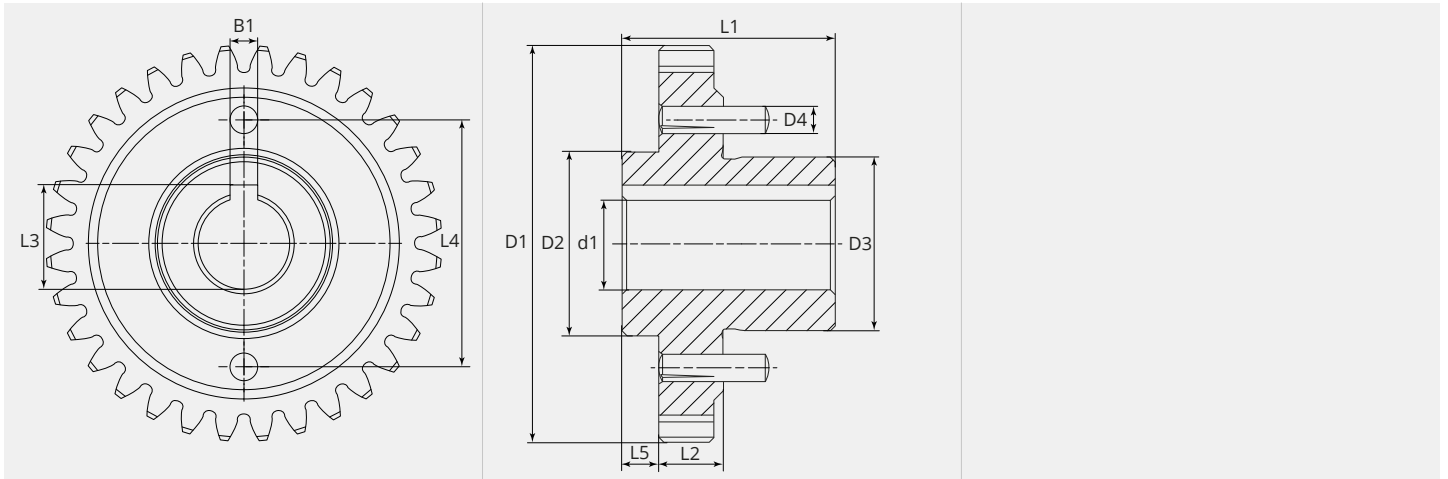


## PRODUCT DESCRIPTION

Applies for series: ME2500-40

## TECHNICAL CHARACTERISTICS

Type of setting:	Motor shaft isolated
Material:	Hardened steel
Surface:	Black-finish
Isolated:	yes
Feed Roll support:	insulated
Motor/gear distance (mm):	12.5
Driving pin type:	Pin
Motor positions:	in the centre

**DIMENSIONAL DRAWING**

**DIMENSIONAL DRAWING**

<b>L1 (mm):</b>	20.60
<b>L2 (mm):</b>	6.90
<b>L3 (mm):</b>	12.60
<b>L4 (mm):</b>	27.00
<b>L5 (mm):</b>	1.50
<b>B1 (mm):</b>	3.00
<b>D1 (Ø):</b>	43.3
<b>D2 (Ø):</b>	20.00
<b>D3 (Ø):</b>	18.90
<b>D4 (Ø):</b>	3.00
<b>d1 (Ø):</b>	10.00