

Inlet Guide brass for 1.6 - 2.8mm Wire

Applies for series: ME9800

Item number:	117866
Product weight (kg):	0.024 kg
Packing unit:	1

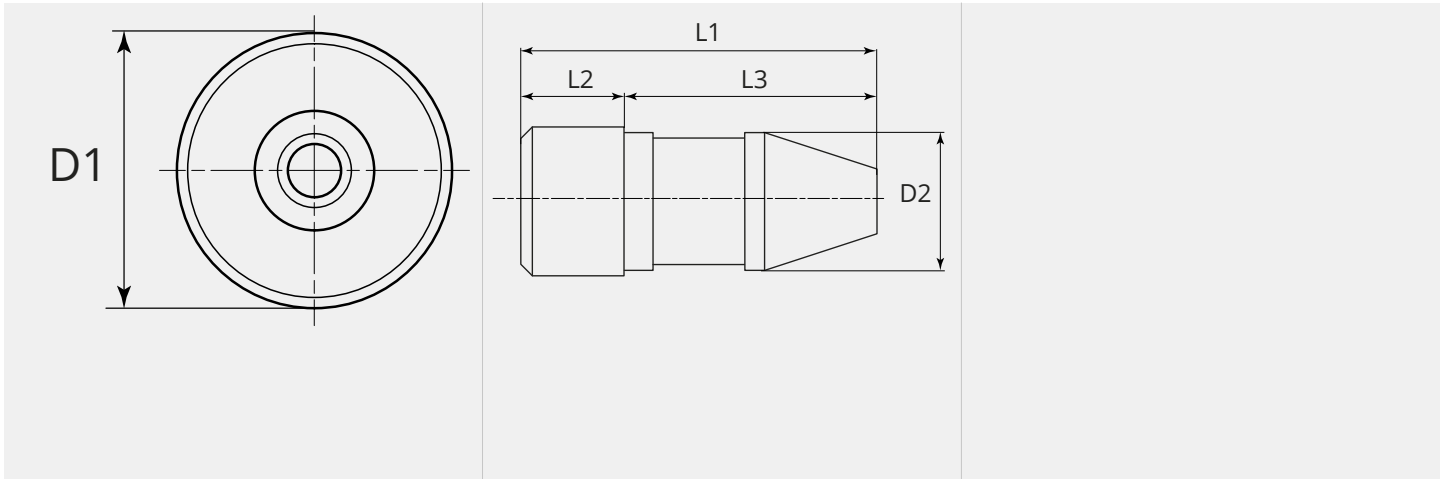


PRODUCT DESCRIPTION

Applies for series: ME9800

TECHNICAL CHARACTERISTICS

Wire (mm):	1.6 - 2.8
Welding wire:	Steel / aluminium / cored wire
Material:	Brass
Suitable:	ME9800

DIMENSIONAL DRAWING

DIMENSIONAL DRAWING

L1 (mm):	31.0
L2 (mm):	9.0
L3 (mm):	22.0
D1 (Ø):	13
D2 (Ø):	12.0