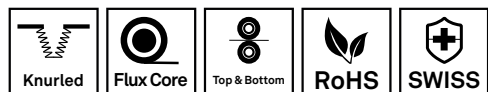


Feed Roll 30mm 1.2+1.2 made of special steel, for cored wire

Suitable for series: ME8900, ME9900-4R in conjunction with a suitable ball bearing and gear ring

| | |
|----------------------|----------|
| Item number: | 117433 |
| Product weight (kg): | 0.045 kg |
| Packing unit: | 1 |

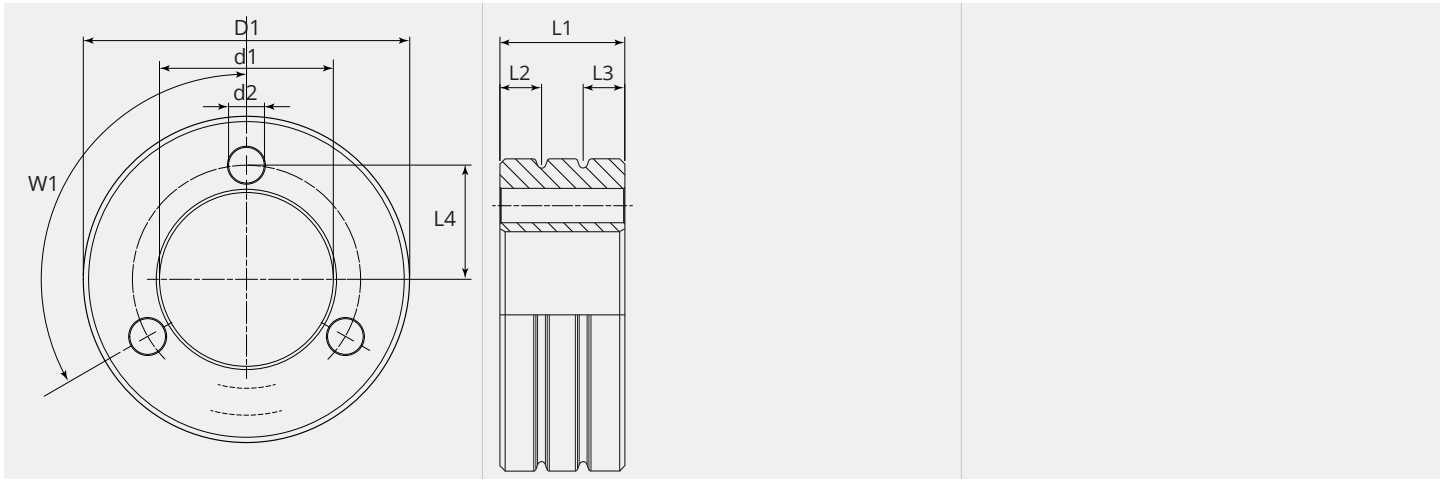


PRODUCT DESCRIPTION

Suitable for series: ME8900, ME9900-4R in conjunction with a suitable ball bearing and gear ring

TECHNICAL CHARACTERISTICS

| | |
|--------------------------------|---------------------------|
| Wire (mm): | 1.2 + 1.2 |
| Welding wire: | Cored wire |
| Groove shape: | V |
| Characteristics of the groove: | knurled |
| Type of setting: | Ball bearing |
| Material: | Hardened High-Speed steel |
| Arrangement Rolls: | Top and bottom |

DIMENSIONAL DRAWING

DIMENSIONAL DRAWING

| | |
|-----------------|---------|
| L1 (mm): | 12.00 |
| L2 (mm): | 4.00 |
| L3 (mm): | 4.00 |
| L4 (mm): | 10.50 |
| D1 (Ø): | 30 |
| d1 (Ø): | 16.00 |
| d2 (Ø): | 3.20 |
| W1 (°): | 3 x 120 |

From 300 pieces we produce your personal feed roll with logo. On request feed rolls are also available in stainless steel.