

Motor 42VDC, 328rpm, 126.0watt

Left side with encoder 2x 60 pulse

Includes power and encoder cable

Item number: 117330

Product weight (kg): 0.11 kg

Packing unit: 1



PRODUCT DESCRIPTION

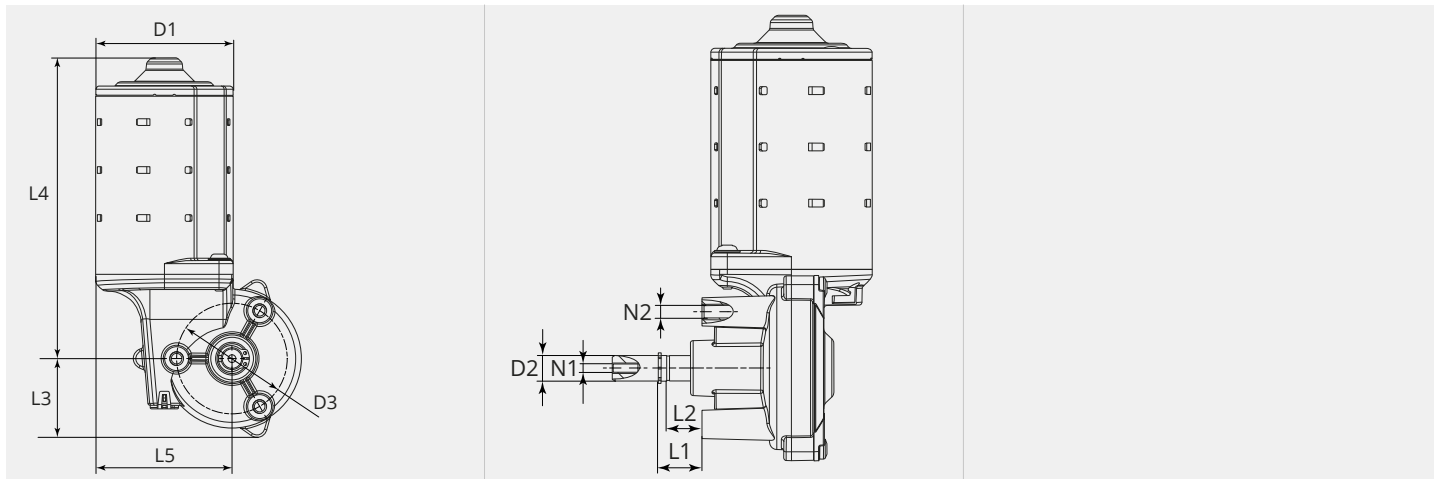
Left side with encoder 2x 60 pulse

Includes power and encoder cable



TECHNICAL CHARACTERISTICS

| | |
|--|---|
| Speed (rpm): | 328 |
| Operating voltage DC (V): | 42 |
| Current (A): | 3.0 |
| Power (W): | 126 |
| Additional: | Encoder 2x 60 pulse |
| Operating voltage for encoder DC (V): | 4 - 6 |
| Version: | Left |
| Wire speed 30mm feedroll (m/min.): | 30.91 |
| Wire speed 37mm feedroll (m/min.): | 38.13 |
| Wire speed 40mm feedroll (m/min.): | 41.22 |
| Active cooling: | no |
| Suitable: | ME8900, ME9300, ME9500, ME9800, ME9900-4R, ME2000 |

DIMENSIONAL DRAWING

DIMENSIONAL DRAWING

| | |
|----------|-------|
| L1 (mm): | 17.0 |
| L2 (mm): | 13.5 |
| L3 (mm): | 39.5 |
| L4 (mm): | 138.0 |
| L5 (mm): | 67.0 |
| D1 (Ø): | 63 |
| D2 (Ø): | 10-f6 |
| D3 (Ø): | 50.8 |
| N1: | M4 |
| N2: | M6 |