

# Motor 42VDC, 328rpm, 126.0watt

Right side with encoder 2x 60 pulse

Includes power and encoder cable

Item number: 117329

Product weight (kg): 0.11 kg

Packing unit: 1



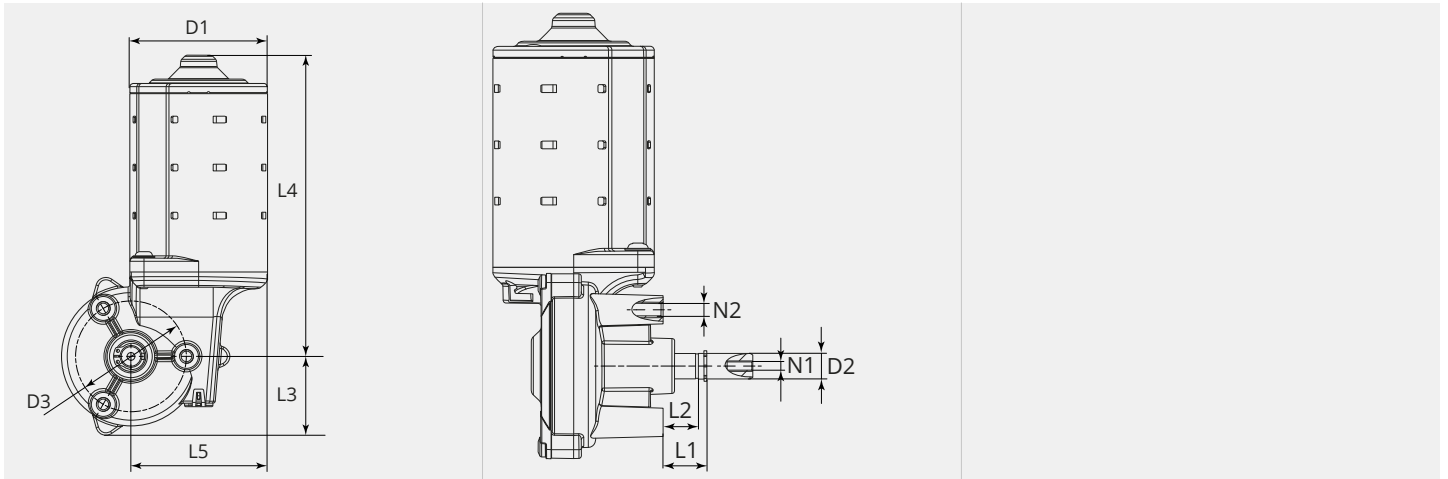
## PRODUCT DESCRIPTION

Right side with encoder 2x 60 pulse

Includes power and encoder cable

**TECHNICAL CHARACTERISTICS**

<b>Speed (rpm):</b>	328
<b>Operating voltage DC (V):</b>	42
<b>Current (A):</b>	3.0
<b>Power (W):</b>	126
<b>Additional:</b>	Encoder 2x 60 pulse
<b>Operating voltage for encoder DC (V):</b>	4 - 6
<b>Version:</b>	Right
<b>Wire speed 30mm feedroll (m/min.):</b>	30.91
<b>Wire speed 37mm feedroll (m/min.):</b>	38.13
<b>Wire speed 40mm feedroll (m/min.):</b>	41.22
<b>Active cooling:</b>	no
<b>Suitable:</b>	ME8900, ME9300, ME9500, ME9800, ME9900-4R, ME2000

**DIMENSIONAL DRAWING**

**DIMENSIONAL DRAWING**

L1 (mm):	17.0
L2 (mm):	13.5
L3 (mm):	39.5
L4 (mm):	138.0
L5 (mm):	67.0
D1 (Ø):	63
D2 (Ø):	10-f6
D3 (Ø):	50.8
N1:	M4
N2:	M6